

REBUILD KITS

KIT-AC102

FOR ACME

2-VALVE REBUILD KIT



HOT & COLD STEM
414621

KIT-AC103

FOR ACME

3-VALVE REBUILD KIT



HOT & COLD STEM
414621

DIVERTER STEM
438611

KIT-AF102

FOR ART-F

2-VALVE REBUILD KIT



HOT & COLD STEM
420561

KIT-AM102

FOR AMERICAN BRASS

2-VALVE REBUILD KIT



HOT & COLD STEM
LF464001

KIT-AM103

FOR AMERICAN BRASS

3-VALVE REBUILD KIT



HOT & COLD STEM
LF464001

DIVERTER STEM
AM20177
BW Diverter Ref.
430350

KIT-AM112

FOR AMERICAN BRASS

2-VALVE REBUILD KIT



HOT & COLD STEM
403611

REBUILD KITS

KIT-AM113

FOR AMERICAN BRASS

3-VALVE REBUILD KIT



HOT & COLD STEM
403611

DIVERTER STEM
432800

KIT-AM122

FOR AMERICAN BRASS

2-VALVE REBUILD KIT



HOT & COLD STEM
421201

KIT-AM123

FOR AMERICAN BRASS

3-VALVE REBUILD KIT



HOT & COLD STEM
421201

DIVERTER STEM
438701

KIT-AM132

FOR AMERICAN BRASS

2-VALVE REBUILD KIT



HOT & COLD STEM
400431

KIT-AM142

FOR AMERICAN BRASS

2-VALVE REBUILD KIT



HOT & COLD STEM
LF470021

KIT-AR102

FOR ARROWHEAD BRASS

2-VALVE REBUILD KIT



HOT & COLD STEM
415501

REBUILD KITS

KIT-AR103

FOR ARROWHEAD BRASS

3-VALVE REBUILD KIT



HOT & COLD STEM
415501

DIVERTER STEM
432401

KIT-AR112

FOR ARROWHEAD BRASS

2-VALVE REBUILD KIT



HOT & COLD STEM
415501

KIT-AR113

FOR ARROWHEAD BRASS

3-VALVE REBUILD KIT



HOT & COLD STEM
415501

DIVERTER STEM
432401

KIT-AS102

FOR AMERICAN STANDARD

2-VALVE REBUILD KIT



HOT & COLD STEM
AS10101-LF
BW Hot & Cold Ref.
LF453021
OEM Reference
72950-17

KIT-AS103

FOR AMERICAN STANDARD

3-VALVE REBUILD KIT



HOT & COLD STEM
AS10101-LF
BW Hot & Cold Ref.
LF453021
OEM Reference
72950-17

DIVERTER STEM
AS20101
BW Diverter Ref.
430602
OEM Reference
6052-07

KIT-AS112

FOR AMERICAN STANDARD

2-VALVE REBUILD KIT



HOT & COLD STEM
AS10108-LF
BW Hot & Cold Ref.
LF453001
OEM Reference
44261-07

REBUILD KITS

KIT-AS113

FOR AMERICAN STANDARD
3-VALVE REBUILD KIT



HOT & COLD STEM
AS10108-LF
BW Hot & Cold Ref.
LF453001
OEM Reference
44261-07

DIVERTER STEM
430442
OEM Reference
066285-0070A

KIT-AS122

FOR AMERICAN STANDARD
2-VALVE REBUILD KIT



HOT & COLD STEM
AS10103-LF / AS10104-LF
BW Hot & Cold Ref.
LF453091 / LF453092
OEM Reference
6079-04 / 6080-04

KIT-AS123

FOR AMERICAN STANDARD
3-VALVE REBUILD KIT



HOT & COLD STEM
AS10103-LF / AS10104-LF
BW Hot & Cold Ref.
LF453091 / LF453092
OEM Reference
6079-04 / 6080-04

DIVERTER STEM
AS20101
BW Diverter Ref.
430602
OEM Reference
6052-07

KIT-AS132

FOR AMERICAN STANDARD
2-VALVE REBUILD KIT



HOT & COLD STEM
AS20186-15
BW Hot & Cold Ref.
418001
OEM Reference
18293-0200

KIT-AS133

FOR AMERICAN STANDARD
3-VALVE REBUILD KIT



HOT & COLD STEM
AS20186-15
BW Hot & Cold Ref.
418001
OEM Reference
18293-0200

DIVERTER STEM
435701
OEM Reference
18355-0200

KIT-AS134

FOR AMERICAN STANDARD
4-VALVE REBUILD KIT



HOT & COLD STEM
AS20186-15
BW Hot & Cold Ref.
418001
OEM Reference
18293-0200

REBUILD KITS

KIT-AS142

FOR AMERICAN STANDARD

2-VALVE REBUILD KIT



HOT & COLD STEM
AS20170-18T
BW Hot & Cold Ref.
412301
OEM Reference
9806-02

KIT-AS143

FOR AMERICAN STANDARD

3-VALVE REBUILD KIT



HOT & COLD STEM
AS20170-18T
BW Hot & Cold Ref.
412301
OEM Reference
9806-02

DIVERTER STEM
432201

OEM Reference
9803-02

KIT-AS152

FOR AMERICAN STANDARD

2-VALVE REBUILD KIT



HOT & COLD STEM
418031

OEM Reference
4754-02

KIT-AS153

FOR AMERICAN STANDARD

3-VALVE REBUILD KIT



HOT & COLD STEM
418031

DIVERTER STEM
435711

OEM Reference
4754-02

KIT-AS162

FOR AMERICAN STANDARD

2-VALVE REBUILD KIT



HOT & COLD STEM
AS20174

BW Hot & Cold Ref.
414401
OEM Reference
72855-0700

KIT-AS163

FOR AMERICAN STANDARD

3-VALVE REBUILD KIT



HOT & COLD STEM
AS20174

BW Hot & Cold Ref.
414401
OEM Reference
72855-0700

DIVERTER STEM
433801

OEM Reference
72856-0700A

REBUILD KITS

KIT-AS172

FOR AMERICAN STANDARD

2-VALVE REBUILD KIT



HOT & COLD STEM
AS20172
BW Hot & Cold Ref.
405701
OEM Reference
50729-0700

KIT-AS173

FOR AMERICAN STANDARD

3-VALVE REBUILD KIT



HOT & COLD STEM
AS20172
BW Hot & Cold Ref.
405701
OEM Reference
50729-0700

DIVERTER STEM
AS20173
BW Diverter Ref.
431601
OEM Reference
50772-0700

KIT-AS182

FOR AMERICAN STANDARD

2-VALVE REBUILD KIT



HOT & COLD STEM
AS10101-LF / AS10102-LF
BW Hot & Cold Ref.
LF453021 / LF453022
OEM Reference
72950-17

KIT-AS183

FOR AMERICAN STANDARD

3-VALVE REBUILD KIT



HOT & COLD STEM
AS10101-LF / AS10102-LF
BW Hot & Cold Ref.
LF453021 / LF453022
OEM Reference
72950-17

DIVERTER STEM
AS20101
BW Diverter Ref.
430602
OEM Reference
6052-07

KIT-AS192

FOR AMERICAN STANDARD

2-VALVE REBUILD KIT



AQUA-SEAL WITH STAINLESS STEEL RING

HOT & COLD STEM
LF453021-SS / LF453022-SS

OEM Reference
72991-017

KIT-AS193

FOR AMERICAN STANDARD

3-VALVE REBUILD KIT



AQUA-SEAL WITH STAINLESS STEEL RING

AQUA-SEAL WITH STAINLESS STEEL RING

HOT & COLD STEM
LF453021-SS / LF453022-SS

OEM Reference
72991-017

DIVERTER STEM
AS20101
BW Diverter Ref.
430602
OEM Reference
6052-07

REBUILD KITS

KIT-AS202

FOR AMERICAN STANDARD
2-VALVE REBUILD KIT



HOT & COLD STEM
LF476041

OEM Reference
18625-0200

KIT-AS212

FOR AMERICAN STANDARD
2-VALVE REBUILD KIT



HOT & COLD STEM
LF468081

OEM Reference
4782-02

KIT-AS222

FOR AMERICAN STANDARD
2-VALVE REBUILD KIT



HOT & COLD STEM
424601

OEM Reference
16762-02

KIT-AS224

FOR AMERICAN STANDARD
4-VALVE REBUILD KIT



HOT & COLD STEM
424601

OEM Reference
16762-02

KIT-AS232

FOR AMERICAN STANDARD
2-VALVE REBUILD KIT



HOT & COLD STEM
AS10103-LF
BW Hot & Cold Ref.
LF453091
OEM Reference
6079-04

KIT-AS233

FOR AMERICAN STANDARD
3-VALVE REBUILD KIT



HOT & COLD STEM
AS10103-LF
BW Hot & Cold Ref.
LF453091
OEM Reference
6079-04

DIVERTER STEM
AS20101
BW Diverter Ref.
430602
OEM Reference
6052-07

REBUILD KITS

KIT-AS242

FOR AMERICAN STANDARD

2-VALVE REBUILD KIT



HOT & COLD STEM
427231

OEM Reference
5903-02

KIT-AS252

FOR AMERICAN STANDARD

2-VALVE REBUILD KIT



HOT & COLD STEM
AS20172
BW Hot & Cold Ref.
405701
OEM Reference
50729-0700

KIT-AS253

FOR AMERICAN STANDARD

3-VALVE REBUILD KIT



HOT & COLD STEM
AS20172
BW Hot & Cold Ref.
405701
OEM Reference
50729-0700

DIVERTER STEM
AS20173
BW Diverter Ref.
431601
OEM Reference
50772-0700

KIT-AS262

FOR AMERICAN STANDARD

2-VALVE REBUILD KIT



HOT & COLD STEM
AS10101-LF
BW Hot & Cold Ref.
LF453021
OEM Reference
72950-17

KIT-AS273

FOR AMERICAN STANDARD

3-VALVE REBUILD KIT



**CERAMIC CARTRIDGE
REPLACEMENT FOR
AQUA-SEAL & NU-RENU**

**CERAMIC CARTRIDGE
REPLACEMENT FOR
AQUA-SEAL & NU-RENU**

HOT & COLD STEM
LF450931 / LF450932

DIVERTER STEM
AS20101
BW Diverter Ref.
430602
OEM Reference
6052-07

KIT-AS283

FOR AMERICAN STANDARD

3-VALVE REBUILD KIT



**CERAMIC CARTRIDGE
REPLACEMENT FOR
AQUA-SEAL & NU-RENU**

**CERAMIC CARTRIDGE
REPLACEMENT FOR
AQUA-SEAL & NU-RENU**

HOT & COLD STEM
LF450931 / LF450932

DIVERTER STEM
AS20101
BW Diverter Ref.
430602
OEM Reference
6052-07

REBUILD KITS

KIT-AS292

FOR AMERICAN STANDARD
2-VALVE REBUILD KIT



HOT & COLD STEM
418011

KIT-AS292-PORC

FOR AMERICAN STANDARD
2-VALVE REBUILD KIT



HOT & COLD STEM
418011

KIT-AS293

FOR AMERICAN STANDARD
3-VALVE REBUILD KIT



HOT & COLD STEM
418011

DIVERTER STEM
435711

KIT-AS303

FOR AMERICAN STANDARD
3-VALVE REBUILD KIT



HOT & COLD STEM
425511

DIVERTER STEM
435711

KIT-AS312

FOR AMERICAN STANDARD
2-VALVE REBUILD KIT



HOT & COLD STEM
425501

KIT-AS332

FOR AMERICAN STANDARD
2-VALVE REBUILD KIT



HOT & COLD STEM
AS10180
BW Hot & Cold Ref.

OEM Reference
A954120-0070A

REBUILD KITS

KIT-AS333

FOR AMERICAN STANDARD

3-VALVE REBUILD KIT



HOT & COLD STEM
AS10180
BW Hot & Cold Ref.

DIVERTER STEM
430662

OEM Reference
A954120-0070A

KIT-AS333-TRIM

FOR AMERICAN STANDARD

TRIM KIT



KIT-AS342

FOR AMERICAN STANDARD

2-VALVE REBUILD KIT



HOT & COLD STEM
LF476031

KIT-AS353

FOR AMERICAN STANDARD

3-VALVE REBUILD KIT



HOT & COLD STEM
AS10101-LF
BW Hot & Cold Ref.
LF453021

DIVERTER STEM
AS20101
BW Diverter Ref.
430602

KIT-AT102

FOR ADVANCE TABCO

2-VALVE REBUILD KIT

KIT OEM # KO-00



GLAND THREADS TURN
CLOCKWISE
INTO VALVE BODY

GLAND THREADS TURN
COUNTER-CLOCKWISE
INTO VALVE BODY

KIT-BA102

FOR BARNES

2-VALVE REBUILD KIT



HOT & COLD STEM
418401

REBUILD KITS

KIT-BA103
FOR BARNES
3-VALVE REBUILD KIT



HOT & COLD STEM
418401

DIVERTER STEM
437601

KIT-BA112
FOR BARNES
2-VALVE REBUILD KIT



HOT & COLD STEM
403711

KIT-BA113
FOR BARNES
3-VALVE REBUILD KIT



HOT & COLD STEM
403711

DIVERTER STEM
431610

KIT-BA132
FOR BARNES
2-VALVE REBUILD KIT



HOT & COLD STEM
412201

KIT-BA133
FOR BARNES
3-VALVE REBUILD KIT



HOT & COLD STEM
412201

DIVERTER STEM
435010

KIT-BR102
FOR BRIGGS
2-VALVE REBUILD KIT



HOT & COLD STEM
BR20252
BW Hot & Cold Ref.
417901
OEM Reference
DIV505

REBUILD KITS

KIT-BR103

FOR BRIGGS

3-VALVE REBUILD KIT



HOT & COLD STEM
BR20252
BW Hot & Cold Ref.
417901
OEM Reference
DIV505

DIVERTER STEM
437502
OEM Reference
DIV509

KIT-BR112

FOR BRIGGS

2-VALVE REBUILD KIT



HOT & COLD STEM
404101
OEM Reference
DIV10635

OEM Reference
DIV10635

KIT-BR113

FOR BRIGGS

3-VALVE REBUILD KIT



HOT & COLD STEM
BR20251
BW Hot & Cold Ref.
404101
OEM Reference
DIV10635

DIVERTER STEM
431502
OEM Reference
DIV10635

KIT-BR122

FOR BRIGGS

2-VALVE REBUILD KIT



HOT & COLD STEM
BR20252
BW Hot & Cold Ref.
417901
OEM Reference
DIV505

KIT-BR123

FOR BRIGGS

3-VALVE REBUILD KIT



HOT & COLD STEM
BR20252
BW Hot & Cold Ref.
417901
OEM Reference
DIV505

DIVERTER STEM
437502
OEM Reference
DIV509

KIT-BR132

FOR BRIGGS

2-VALVE REBUILD KIT



HOT & COLD STEM
411201
OEM Reference
DIV10204

OEM Reference
DIV10204

REBUILD KITS

KIT-BR133

FOR BRIGGS

3-VALVE REBUILD KIT



HOT & COLD STEM
411201

DIVERTER STEM
433502

OEM Reference
DIV10204

OEM Reference
DIV10675

KIT-BR142

FOR BRIGGS

2-VALVE REBUILD KIT



HOT & COLD STEM
412101

KIT-BR143

FOR BRIGGS

3-VALVE REBUILD KIT



HOT & COLD STEM
412101

DIVERTER STEM
433502

OEM Reference
DIV10675

KIT-BR152

FOR BRIGGS

2-VALVE REBUILD KIT



HOT & COLD STEM
414201

KIT-BR153

FOR BRIGGS

3-VALVE REBUILD KIT



HOT & COLD STEM
414201

DIVERTER STEM
433502

OEM Reference
DIV10675

KIT-BR162

FOR BRIGGS

2-VALVE REBUILD KIT



HOT & COLD STEM
422851

REBUILD KITS

KIT-BR163

FOR BRIGGS

3-VALVE REBUILD KIT



HOT & COLD STEM
422851

DIVERTER STEM
439251

KIT-BR172

FOR BRIGGS

2-VALVE REBUILD KIT



HOT & COLD STEM
418661

KIT-BR183

FOR BRIGGS

3-VALVE REBUILD KIT



HOT & COLD STEM
422551

DIVERTER STEM
437961

KIT-BR192

FOR BRIGGS

2-VALVE REBUILD KIT



HOT & COLD STEM
417911

KIT-BR194

FOR BRIGGS

4-VALVE REBUILD KIT



HOT & COLD STEM
417911

KIT-BR201

FOR BRIGGS

SINGLE VALVE REBUILD KIT



HOT & COLD STEM
BR10216
BW Hot & Cold Ref.
P301

REBUILD KITS

KIT-BR213

FOR BRIGGS

3-VALVE REBUILD KIT



HOT & COLD STEM
BR20252
BW Hot & Cold Ref.
417901

DIVERTER STEM
437502

KIT-BU102

FOR BURLINGTON

2-VALVE REBUILD KIT



HOT & COLD STEM
405811

KIT-BU103

FOR BURLINGTON

3-VALVE REBUILD KIT



HOT & COLD STEM
405811

DIVERTER STEM
430710

KIT-CB102

FOR CENTRAL BRASS

2-VALVE REBUILD KIT



HOT & COLD STEM
CB20331
BW Hot & Cold Ref.
415811
OEM Reference
K-2-CS

KIT-CB103

FOR CENTRAL BRASS

3-VALVE REBUILD KIT



HOT & COLD STEM
CB20331
BW Hot & Cold Ref.
415811
OEM Reference
K-2-CS

DIVERTER STEM
CB20329
BW Diverter Ref.
436111
OEM Reference
K-2-DS

KIT-CB112

FOR CENTRAL BRASS

2-VALVE REBUILD KIT



HOT & COLD STEM
CB20336
BW Hot & Cold Ref.
415801 w/ 159920
OEM Reference
K-2-CT

REBUILD KITS

KIT-CB113 FOR CENTRAL BRASS 3-VALVE REBUILD KIT



HOT & COLD STEM
CB20336
BW Hot & Cold Ref.
415801 w/ 159920
OEM Reference
K-2-CT

DIVERTER STEM
436101

OEM Reference
K-2-DT

KIT-CB122 FOR CENTRAL BRASS 2-VALVE REBUILD KIT



HOT & COLD STEM
CB20333
BW Hot & Cold Ref.
411011
OEM Reference
SU-1548-C or K-3-CT

KIT-CB123 FOR CENTRAL BRASS 3-VALVE REBUILD KIT



HOT & COLD STEM
CB20333
BW Hot & Cold Ref.
411011
OEM Reference
SU-1548-C or K-3-CT

DIVERTER STEM
431921

OEM Reference
K-3-DT LESS SEAT

KIT-CB132 FOR CENTRAL BRASS 2-VALVE REBUILD KIT



HOT & COLD STEM
CB20333
BW Hot & Cold Ref.
411011
OEM Reference
SU-1548-C or K-3-CT

KIT-CB133 FOR CENTRAL BRASS 3-VALVE REBUILD KIT



HOT & COLD STEM
CB20333
BW Hot & Cold Ref.
411011
OEM Reference
SU-1548-C or K-3-CT

DIVERTER STEM
431921

OEM Reference
K-3-DT LESS SEAT

KIT-CB142 FOR CENTRAL BRASS 2-VALVE REBUILD KIT



HOT & COLD STEM
416801

REBUILD KITS

KIT-CB153 FOR CENTRAL BRASS 3-VALVE REBUILD KIT



HOT & COLD STEM
424711

DIVERTER STEM
CB20329
BW Diverter Ref.
436111
OEM Reference
K-2-DS

OEM Reference
P-226

KIT-CB162 FOR CENTRAL BRASS 2-VALVE REBUILD KIT



HOT & COLD STEM
404401

KIT-CB163 FOR CENTRAL BRASS 3-VALVE REBUILD KIT



HOT & COLD STEM
404401

DIVERTER STEM
430401

KIT-CB172 FOR CENTRAL BRASS 2-VALVE REBUILD KIT



HOT & COLD STEM
CB20336
BW Hot & Cold Ref.
415801 w/ 159920
OEM Reference
K-2-CT

KIT-CB173 FOR CENTRAL BRASS 3-VALVE REBUILD KIT



HOT & COLD STEM
CB20336
BW Hot & Cold Ref.
415801 w/ 159920
OEM Reference
K-2-CT

DIVERTER STEM
436101

OEM Reference
K-2-DT

KIT-CB182 FOR CENTRAL BRASS 2-VALVE REBUILD KIT



HOT & COLD STEM
CB20331
BW Hot & Cold Ref.
415811
OEM Reference
K-2-CS

REBUILD KITS

KIT-CB192 FOR CENTRAL BRASS 2-VALVE REBUILD KIT



HOT & COLD STEM
LF475061

OEM Reference
U-2970-SRI

KIT-CB202 FOR CENTRAL BRASS 2-VALVE REBUILD KIT



HOT & COLD STEM
CB20337
BW Hot & Cold Ref.
415821

KIT-CB203 FOR CENTRAL BRASS 3-VALVE REBUILD KIT



HOT & COLD STEM
CB20337
BW Hot & Cold Ref.
415821

DIVERTER STEM
436121

KIT-CB213 FOR CENTRAL BRASS 3-VALVE REBUILD KIT



HOT & COLD STEM
416821

OEM Reference
K-351-H

DIVERTER STEM
431921

OEM Reference
K-3-DT LESS SEAT

KIT-CR102 FOR CRANE 2-VALVE REBUILD KIT



HOT & COLD STEM
CR20334
BW Hot & Cold Ref.
408321

KIT-CR103 FOR CRANE 3-VALVE REBUILD KIT



HOT & COLD STEM
CR20334
BW Hot & Cold Ref.
408321

DIVERTER STEM
CR20341
BW Diverter Ref.
430901
OEM Reference
FB9520

REBUILD KITS

KIT-CR112

FOR CRANE

2-VALVE REBUILD KIT



HOT & COLD STEM
422901

KIT-CR112A

FOR CRANE

2-VALVE REBUILD KIT



HOT & COLD STEM
425601

KIT-CR113

FOR CRANE

3-VALVE REBUILD KIT



HOT & COLD STEM
422901

DIVERTER STEM
438400

KIT-CR113A

FOR CRANE

3-VALVE REBUILD KIT



HOT & COLD STEM
425601

DIVERTER STEM
438400

KIT-CR122

FOR CRANE

2-VALVE REBUILD KIT



HOT & COLD STEM
418551

OEM Reference
FB1341

KIT-CR132

FOR CRANE

2-VALVE REBUILD KIT



HOT & COLD STEM
419701

REBUILD KITS

KIT-CR133

FOR CRANE

3-VALVE REBUILD KIT



HOT & COLD STEM
419701

DIVERTER STEM
433601

OEM Reference
FB9178

KIT-CR142

FOR CRANE

2-VALVE REBUILD KIT



HOT & COLD STEM
CR10312-LF / CR10313-LF
BW Hot & Cold Ref.
LF462011 / LF462012
OEM Reference
FB8552

KIT-CR152

FOR CRANE

2-VALVE REBUILD KIT



HOT & COLD STEM
408201

KIT-CR153

FOR CRANE

3-VALVE REBUILD KIT



HOT & COLD STEM
408201

DIVERTER STEM
431901

OEM Reference
137-5B

KIT-CR162

FOR CRANE

2-VALVE REBUILD KIT



HOT & COLD STEM
LF480111

OEM Reference
FB7673 RH

KIT-CR172

FOR CRANE

2-VALVE REBUILD KIT



HOT & COLD STEM
CR10312-LF / CR10313-LF
BW Hot & Cold Ref.
LF462011 / LF462012
OEM Reference
FB8552

REBUILD KITS

KIT-CR182

FOR CRANE

2-VALVE REBUILD KIT



HOT & COLD STEM
427051

KIT-CR182-PORC

FOR CRANE

2-VALVE REBUILD KIT



HOT & COLD STEM
427051

KIT-CR193

FOR CRANE

3-VALVE REBUILD KIT



HOT & COLD STEM
CR20334
BW Hot & Cold Ref.
408321
OEM Reference
FB1077

DIVERTER STEM
CR20341
BW Diverter Ref.
430901
OEM Reference
FB9520

KIT-CR202

FOR CRANE

2-VALVE REBUILD KIT



HOT & COLD STEM
417201

KIT-CR203

FOR CRANE

3-VALVE REBUILD KIT



HOT & COLD STEM
417201

DIVERTER STEM
433601

OEM Reference
FB9178

KIT-CR212

FOR CRANE

2-VALVE REBUILD KIT



HOT & COLD STEM
CR10312-LF / CR10313-LF
BW Hot & Cold Ref.
LF462011/LF462012
OEM Reference
FB8552

STOP STEMS
400211

REBUILD KITS

KIT-CR222

FOR CRANE

2-VALVE REBUILD KIT



HOT & COLD STEM
215911

KIT-CR233

FOR CRANE

3-VALVE REBUILD KIT



HOT & COLD STEM
422901

DIVERTER STEM
433601

KIT-CR242

FOR CRANE

2-VALVE REBUILD KIT



HOT & COLD STEM
LF471121

KIT-CR252

FOR CRANE

2-VALVE REBUILD KIT



HOT & COLD STEM
CR10312-LF
BW Hot & Cold Ref.
LF462012
OEM Reference
FB8552

KIT-CR262

FOR CRANE

2-VALVE REBUILD KIT



HOT & COLD STEM
423951

KIT-CR282

FOR CRANE

2-VALVE REBUILD KIT



HOT & COLD STEM
417411

REBUILD KITS

KIT-CR292

FOR CRANE

2-VALVE REBUILD KIT



HOT & COLD STEM
423151

KIT-CR293

FOR CRANE

3-VALVE REBUILD KIT



HOT & COLD STEM
423151

DIVERTER STEM
438550

KIT-CR312

FOR CRANE

2-VALVE REBUILD KIT



HOT & COLD STEM
CR10312-LF / CR10313-LF
BW Hot & Cold Ref.
LF462012 / LF462011

KIT-DE102

FOR DELTA

2-VALVE REBUILD KIT



HOT & COLD STEM
DE10424

KIT-DE113

FOR DELTA

3-VALVE REBUILD KIT



HOT & COLD STEM
DE10428

DIVERTER STEM
DE10429

OEM Reference
RP1740

OEM Reference
RP17730

KIT-DE132

FOR DELTA

2-VALVE REBUILD KIT



HOT & COLD STEM
DE10428

OEM Reference
RP1740

REBUILD KITS

KIT-DE163

FOR DELTA

3-VALVE REBUILD KIT



HOT & COLD STEM
DE10428

DIVERTER STEM
DE10425

OEM Reference
RP1740

OEM Reference
RP10799

KIT-DE173

FOR DELTA

3-VALVE REBUILD KIT



HOT & COLD STEM
DE10428

DIVERTER STEM
DE10429

OEM Reference
RP1740

OEM Reference
RP17730

KIT-DE182

FOR DELTA

2-VALVE REBUILD KIT



HOT & COLD STEM
DE10424

KIT-DE193

FOR DELTA

3-VALVE REBUILD KIT



HOT & COLD STEM
DE10423

DIVERTER STEM
DE10429

OEM Reference
RP17730

KIT-DE202

FOR DELTA

2-VALVE REBUILD KIT



HOT & COLD STEM
DE10423

KIT-DE203

FOR DELTA

3-VALVE REBUILD KIT



HOT & COLD STEM
DE10423

DIVERTER STEM
DE10425

OEM Reference
RP10799

REBUILD KITS

KIT-DE213

FOR DELTA

3-VALVE REBUILD KIT



HOT & COLD STEM
DE10423

DIVERTER STEM
DE10429

OEM Reference
RP17730

KIT-DE221

FOR DELTA

SINGLE VALVE REBUILD KIT



S/L CARTRIDGE
DE1-70SS

DIVERTER STEM
DE10420

OEM Reference
RP5649

KIT-DE231

FOR DELTA

SINGLE VALVE REBUILD KIT



S/L CARTRIDGE
DE10480

OEM Reference
RP1991

KIT-DE241

FOR DELTA

SINGLE VALVE REBUILD KIT



S/L CARTRIDGE
DE10480

DIVERTER STEM
DE10420

OEM Reference
RP1991

OEM Reference
RP5649

KIT-DE251

FOR DELTA

SINGLE VALVE REBUILD KIT



S/L CARTRIDGE
DE10480

OEM Reference
RP1991

KIT-DE262

FOR DELTA

2-VALVE REBUILD KIT



HOT & COLD STEM
DE10428

OEM Reference
RP1740

REBUILD KITS

KIT-DE271

FOR DELTA

SINGLE VALVE REBUILD KIT



S/L CARTRIDGE
DE1-70SS-OEM

OEM Reference
RP70

KIT-DE271-BN

FOR DELTA

SINGLE VALVE REBUILD KIT BRUSHED NICKEL



S/L CARTRIDGE
DE1-70SS-OEM

OEM Reference
RP70

KIT-DE271-MB

FOR DELTA

SINGLE VALVE REBUILD KIT MATTE BLACK



S/L CARTRIDGE
DE1-70SS-OEM

OEM Reference
RP70

KIT-DE271-TRIM

FOR DELTA

TRIM KIT



KIT-DE291

FOR DELTA

SINGLE VALVE REBUILD KIT



S/L CARTRIDGE
DE1-212SS

DIVERTER STEM
DE10420

OEM Reference
RP212MBS

OEM Reference
RP5649

KIT-DE291-TRIM

FOR DELTA

TRIM KIT

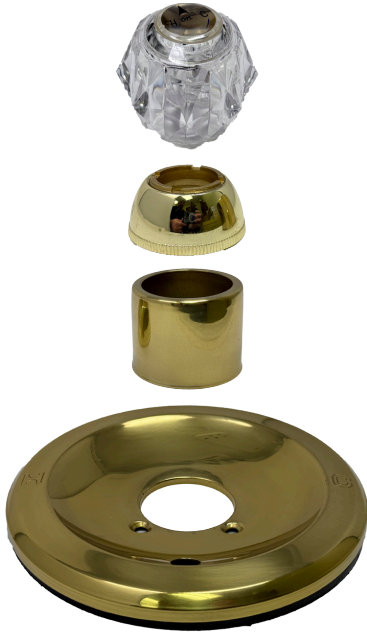


REBUILD KITS

KIT-DE291-TRIM-PB

FOR DELTA

TRIM KIT POLISHED BRASS



KIT-DE301

FOR DELTA

SINGLE VALVE REBUILD KIT



S/L CARTRIDGE
DE1-212SS

OEM Reference
RP212MBS

KIT-DE301-BN

FOR DELTA

SINGLE VALVE REBUILD KIT BRUSHED NICKEL



S/L CARTRIDGE
DE1-212SS

OEM Reference
RP212MBS

KIT-DE301-MB

FOR DELTA

SINGLE VALVE REBUILD KIT MATTE BLACK



S/L CARTRIDGE
DE1-212SS

OEM Reference
RP212MBS

KIT-DE301-TRIM

FOR DELTA

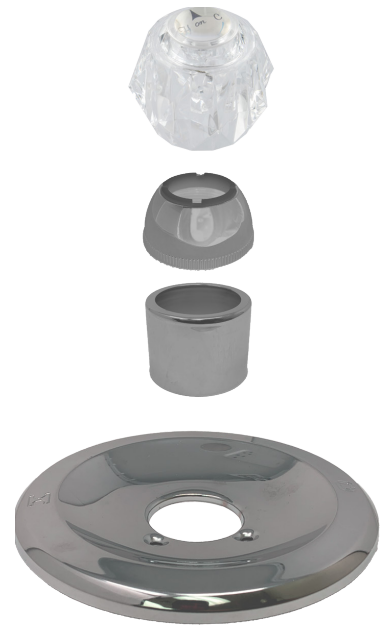
TRIM KIT



KIT-DE301-TRIM-BN

FOR DELTA

TRIM KIT BRUSHED NICKEL



REBUILD KITS

KIT-DE301-TRIM-MB
FOR DELTA
TRIM KIT MATTE BLACK



KIT-DE322
FOR DELTA
2-VALVE REBUILD KIT



HOT & COLD STEM
DE10421

KIT-DE323
FOR DELTA
3-VALVE REBUILD KIT



HOT & COLD STEM
DE10421

DIVERTER STEM
430160

KIT-DE342
FOR DELTA
2-VALVE REBUILD KIT



HOT & COLD STEM
GB10654

OEM Reference
RP22018

KIT-DE343
FOR DELTA
3-VALVE REBUILD KIT



HOT & COLD STEM
GB10654

DIVERTER STEM
GB10655

OEM Reference
RP22018

OEM Reference
RP70620

KIT-DE351
FOR DELTA
SINGLE VALVE REBUILD KIT



S/L CARTRIDGE
DE10480

REBUILD KITS

KIT-DE361

FOR DELTA

SINGLE VALVE REBUILD KIT



S/L CARTRIDGE
DE10487

OEM Reference
RP20111

KIT-DE373

FOR DELTA

3-VALVE REBUILD KIT



S/L CARTRIDGE
DE10423

DIVERTER STEM
430160

KIT-DE383

FOR DELTA

3-VALVE REBUILD KIT



S/L CARTRIDGE
DE10421

DIVERTER STEM
1300DIVERTER

KIT-DE392

FOR DELTA

2-VALVE REBUILD KIT



S/L CARTRIDGE
DE10421

KIT-DE401

FOR DELTA

SINGLE VALVE REBUILD KIT



S/L CARTRIDGE
DE10420

OEM Reference
RP5649

KIT-DE411

FOR DELTA

SINGLE VALVE REBUILD KIT



S/L CARTRIDGE
CC19054-NS

OEM Reference
RP70538 (NEW STYLE)

REBUILD KITS

KIT-DE411-CV

FOR DELTA

SINGLE VALVE REBUILD KIT



S/L CARTRIDGE
CC19054-NS

OEM Reference
RP70538 (NEW STYLE)

KIT-DE421

FOR DELTA

SINGLE VALVE REBUILD KIT



S/L CARTRIDGE
DE10482

OEM Reference
RP19804

KIT-DE421-NS

FOR DELTA

SINGLE VALVE REBUILD KIT NEW STYLE



S/L CARTRIDGE
DE10482-NS

OEM Reference
RP19804 (NEW STYLE)

KIT-DE431

FOR DELTA

SINGLE VALVE REBUILD KIT



S/L CARTRIDGE
DE10484

OEM Reference
RP46074

KIT-DE441

FOR DELTA

SINGLE VALVE REBUILD KIT



S/L CARTRIDGE
DE10480

OEM Reference
H79

KIT-DE453

FOR DELTA

3-VALVE REBUILD KIT



S/L CARTRIDGE
DE10248

OEM Reference
H79

DIVERTER STEM
430160

REBUILD KITS

KIT-DE461

FOR DELTA

SINGLE VALVE REBUILD KIT



S/L CARTRIDGE
DE10481

OEM Reference
RP32104

KIT-DE471

FOR DELTA

SINGLE VALVE REBUILD KIT



S/L CARTRIDGE
DE10483

OEM Reference
RP46463

KIT-EL102

FOR ELJER

2-VALVE REBUILD KIT



HOT & COLD STEM
EL20528
BW Hot & Cold Ref.
404221
OEM Reference
490-6750-02

KIT-EL103

FOR ELJER

3-VALVE REBUILD KIT



HOT & COLD STEM
EL20528
BW Hot & Cold Ref.
404221
OEM Reference
490-6750-02

DIVERTER STEM
EL20529
BW Diverter Ref.
430221
OEM Reference
490-6749-02

KIT-EL112

FOR ELJER

2-VALVE REBUILD KIT



HOT & COLD STEM
EL20526
BW Hot & Cold Ref.
407801
OEM Reference
490-5264-02

KIT-EL113

FOR ELJER

3-VALVE REBUILD KIT



HOT & COLD STEM
EL20526
BW Hot & Cold Ref.
407801
OEM Reference
490-5264-02

DIVERTER STEM
EL20527
BW Diverter Ref.
431001
OEM Reference
490-5262-00

REBUILD KITS

KIT-EL122

FOR ELJER

2-VALVE REBUILD KIT



HOT & COLD STEM
404001

OEM Reference
490-2740-04

KIT-EL123

FOR ELJER

3-VALVE REBUILD KIT



HOT & COLD STEM
404001

DIVERTER STEM
431301

OEM Reference
490-2740-04

KIT-EL132

FOR ELJER

2-VALVE REBUILD KIT



HOT & COLD STEM
LF463171

OEM Reference
490-8056-01

KIT-EL133

FOR ELJER

3-VALVE REBUILD KIT



HOT & COLD STEM
LF463171

DIVERTER STEM
430431

OEM Reference
490-8056-01

OEM Reference
490-6391-00

KIT-EL142

FOR ELJER

2-VALVE REBUILD KIT



HOT & COLD STEM
404001

OEM Reference
490-2740-04

KIT-EL143

FOR ELJER

3-VALVE REBUILD KIT



HOT & COLD STEM
404001

DIVERTER STEM
431301

OEM Reference
490-2740-04

REBUILD KITS

KIT-EL152

FOR ELJER

2-VALVE REBUILD KIT



HOT & COLD STEM
EL20524
BW Hot & Cold Ref.
407821

KIT-EL153

FOR ELJER

3-VALVE REBUILD KIT



HOT & COLD STEM
EL20524
BW Hot & Cold Ref.
407821

DIVERTER STEM
EL20525
BW Diverter Ref.
431021
OEM Reference
490-5262-00

KIT-EL182

FOR ELJER

2-VALVE REBUILD KIT



HOT & COLD STEM
EL20524
BW Hot & Cold Ref.
407821

EL20525
BW Diverter Ref.
431021
OEM Reference
490-5262-00

KIT-EN102

FOR ENCORE

2-VALVE REBUILD KIT



HOT & COLD STEM
3057-STEM-PR-LF
BW Hot & Cold Ref.
LF452901 / LF452902
OEM Reference
45600007

KIT-EN112

FOR ENCORE

2-VALVE REBUILD KIT



HOT & COLD STEM
LF462241

KIT-EP102-PORC

FOR EMPIRE

2-VALVE REBUILD KIT



HOT & COLD STEM
420751

REBUILD KITS

KIT-EP103
FOR EMPIRE
3-VALVE REBUILD KIT



HOT & COLD STEM
420751

DIVERTER STEM
436270

KIT-EP103-PORC
FOR EMPIRE
3-VALVE REBUILD KIT



HOT & COLD STEM
420751

DIVERTER STEM
436270

KIT-EZ101
FOR EZ-FLO
SINGLE VALVE REBUILD KIT



S/L CARTRIDGE
CC19015

KIT-FA103
FOR FIT-ALL
3-VALVE TRIM KIT



KIT-FI102
FOR FISHER
2-VALVE REBUILD KIT



HOT & COLD STEM
LF462201 / LF462202

OEM Reference
3000-0011 / 3000-0010

KIT-FI202
FOR FISHER
2-VALVE REBUILD KIT



HOT & COLD STEM
LF462211 / LF462212

OEM Reference
2000-0000R / 2000-0000L

REBUILD KITS

KIT-FI302
FOR FISHER
 2-VALVE REBUILD KIT



HOT & COLD STEM
 LF462221 / LF462222

OEM Reference
 5000-0007 / 5000-0006

KIT-FI402
FOR FISHER
 2-VALVE REBUILD KIT



HOT & COLD STEM
 LF462231 / LF462232

KIT-GE102
FOR GERBER
 2-VALVE REBUILD KIT



HOT & COLD STEM
 GE20778B
BW Hot & Cold Ref.
 413301
OEM Reference
 98-673

KIT-GE102-BN
FOR GERBER
 2-VALVE REBUILD KIT BRUSHED NICKEL



HOT & COLD STEM
 GE20778B
BW Hot & Cold Ref.
 413301
OEM Reference
 98-673

KIT-GE102-MB
FOR GERBER
 2-VALVE REBUILD KIT MATTE BLACK



HOT & COLD STEM
 GE20778B
BW Hot & Cold Ref.
 413301
OEM Reference
 98-673

KIT-GE102-TRIM-BN
FOR GERBER
 TRIM KIT BRUSHED NICKEL



REBUILD KITS

KIT-GE103 FOR GERBER

3-VALVE REBUILD KIT



HOT & COLD STEM
GE20778B
BW Hot & Cold Ref.
413301
OEM Reference
98-673

DIVERTER STEM
GE20779
BW Diverter Ref.
433401
OEM Reference
96-230 / 98-726

KIT-GE103-BN FOR GERBER

3-VALVE REBUILD KIT BRUSHED NICKEL



HOT & COLD STEM
GE20778B
BW Hot & Cold Ref.
413301
OEM Reference
98-673

DIVERTER STEM
GE20779
BW Diverter Ref.
433401
OEM Reference
96-230 / 98-726

KIT-GE103-MB FOR GERBER

3-VALVE REBUILD KIT MATTE BLACK



HOT & COLD STEM
GE20778B
BW Hot & Cold Ref.
413301
OEM Reference
98-673

DIVERTER STEM
GE20779
BW Diverter Ref.
433401
OEM Reference
96-230 / 98-726

KIT-GE103-TRIM-BN FOR GERBER

TRIM KIT BRUSHED NICKEL



HOT & COLD STEM

KIT-GE112 FOR GERBER

2-VALVE REBUILD KIT



HOT & COLD STEM
GE20778B
BW Hot & Cold Ref.
413301
OEM Reference
98-673

KIT-GE112-BN FOR GERBER

2-VALVE REBUILD KIT BRUSHED NICKEL



HOT & COLD STEM
GE20778B
BW Hot & Cold Ref.
413301
OEM Reference
98-673

REBUILD KITS

KIT-GE112-MB

FOR GERBER

2-VALVE REBUILD KIT MATTE BLACK



HOT & COLD STEM
GE20778B
BW Hot & Cold Ref.
413301
OEM Reference
98-673

KIT-GE113

FOR GERBER

3-VALVE REBUILD KIT



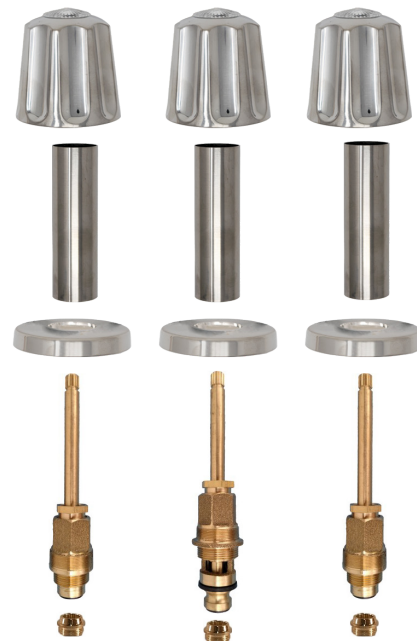
HOT & COLD STEM
GE20778B
BW Hot & Cold Ref.
413301
OEM Reference
98-673

DIVERTER STEM
GE20779
BW Diverter Ref.
433401
OEM Reference
96-230 / 98-726

KIT-GE113-BN

FOR GERBER

3-VALVE REBUILD KIT BRUSHED NICKEL



HOT & COLD STEM
GE20778B
BW Hot & Cold Ref.
413301
OEM Reference
98-673

DIVERTER STEM
GE20779
BW Diverter Ref.
433401
OEM Reference
96-230 / 98-726

KIT-GE113-MB

FOR GERBER

3-VALVE REBUILD KIT MATTE BLACK



HOT & COLD STEM
GE20778B
BW Hot & Cold Ref.
413301
OEM Reference
98-673

DIVERTER STEM
GE20779
BW Diverter Ref.
433401
OEM Reference
96-230 / 98-726

KIT-GE122

FOR GERBER

2-VALVE REBUILD KIT



HOT & COLD STEM
GE20778B
BW Hot & Cold Ref.
413301
OEM Reference
98-673

KIT-GE123

FOR GERBER

3-VALVE REBUILD KIT



HOT & COLD STEM
GE20778B
BW Hot & Cold Ref.
413301
OEM Reference
98-673

DIVERTER STEM
GE20779
BW Diverter Ref.
433401
OEM Reference
96-230 / 98-726

REBUILD KITS

KIT-GE142

FOR GERBER

2-VALVE REBUILD KIT



HOT & COLD STEM
422411

OEM Reference
98-705; 98-006

KIT-GE142-BN

FOR GERBER

2-VALVE REBUILD KIT BRUSHED NICKEL



HOT & COLD STEM
422411

OEM Reference
98-705; 98-006

KIT-GE142-MB

FOR GERBER

2-VALVE REBUILD KIT MATTE BLACK



HOT & COLD STEM
422411

OEM Reference
98-705; 98-006

KIT-GE143

FOR GERBER

3-VALVE REBUILD KIT



HOT & COLD STEM
422411

OEM Reference
98-705; 98-006

DIVERTER STEM
GE20779

BW Diverter Ref.
433401

OEM Reference
96-230 / 98-726

KIT-GE143-BN

FOR GERBER

3-VALVE REBUILD KIT BRUSHED NICKEL



HOT & COLD STEM
422411

OEM Reference
98-705; 98-006

DIVERTER STEM
GE20779

BW Diverter Ref.
433401

OEM Reference
96-230 / 98-726

KIT-GE143-MB

FOR GERBER

3-VALVE REBUILD KIT MATTE BLACK



HOT & COLD STEM
422411

OEM Reference
98-705; 98-006

DIVERTER STEM
GE20779

BW Diverter Ref.
433401

OEM Reference
96-230 / 98-726

REBUILD KITS

KIT-GE152 FOR GERBER

2-VALVE REBUILD KIT



HOT & COLD STEM
GE20778B
BW Hot & Cold Ref.
413301
OEM Reference
98-673

KIT-GE153 FOR GERBER

3-VALVE REBUILD KIT

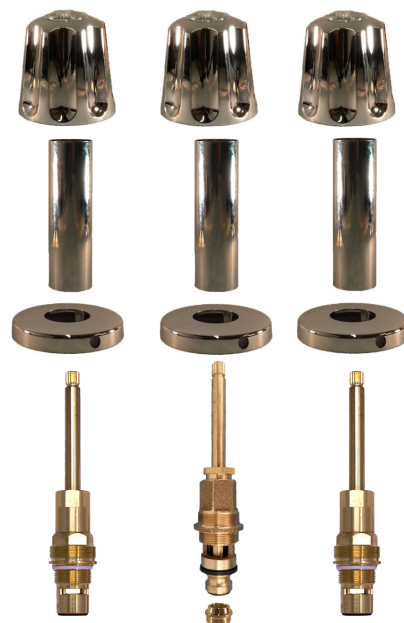


HOT & COLD STEM
GE20778B
BW Hot & Cold Ref.
413301
OEM Reference
98-673

DIVERTER STEM
GE20779
BW Diverter Ref.
433401
OEM Reference
96-230 / 98-726

KIT-GE163 FOR GERBER

3-VALVE REBUILD KIT



HOT & COLD STEM
422411

DIVERTER STEM
GE20779
BW Diverter Ref.
433401
OEM Reference
96-230 / 98-726

OEM Reference
98-705; 98-006

KIT-GE173 FOR GERBER

3-VALVE REBUILD KIT



HOT & COLD STEM
GE20778B
BW Hot & Cold Ref.
413301
OEM Reference
98-673

DIVERTER STEM
GE20779
BW Diverter Ref.
433401
OEM Reference
96-230 / 98-726

KIT-GE183 FOR GERBER

3-VALVE REBUILD KIT



HOT & COLD STEM
GE20778B
BW Hot & Cold Ref.
413301
OEM Reference
98-673

DIVERTER STEM
GE20779
BW Diverter Ref.
433401
OEM Reference
96-230 / 98-726

KIT-GE192 FOR GERBER

2-VALVE REBUILD KIT



HOT & COLD STEM
413311-CP

REBUILD KITS

KIT-GE193

FOR GERBER

3-VALVE REBUILD KIT



HOT & COLD STEM
413311-CP

DIVERTER STEM
434401

OEM Reference
98-720

KIT-GE203

FOR GERBER

3-VALVE REBUILD KIT



HOT & COLD STEM
GE20778B
BW Hot & Cold Ref.
413301
OEM Reference
98-673

DIVERTER STEM
GE20779
BW Diverter Ref.
433401
OEM Reference
96-230 / 98-726

KIT-GE212

FOR GERBER

2-VALVE REBUILD KIT



HOT & COLD STEM
GE10724-LF / GE10725-LF
BW Hot & Cold Ref.
LF451251 / LF451252
OEM Reference
98-688

KIT-GE221

FOR GERBER

SINGLE VALVE REBUILD KIT



S/L CARTRIDGE
PBCV

OEM Reference
95-154

KIT-GE221-TRIM

FOR GERBER

TRIM KIT



KIT-GE232

FOR GERBER

2-VALVE REBUILD KIT



HOT & COLD STEM
413601

OEM Reference
98-677

REBUILD KITS

KIT-GE241 FOR GERBER

SINGLE VALVE REBUILD KIT



S/L CARTRIDGE
GE10783

OEM Reference
97-014 & 97-022

KIT-GE252 FOR GERBER

2-VALVE REBUILD KIT



HOT & COLD STEM
413301-CP

KIT-GE262 FOR GERBER

2-VALVE REBUILD KIT



HOT & COLD STEM
GE20778B / GE20781
BW Hot & Cold Ref.
413301 / 413302
OEM Reference
98-673 / 98-674

KIT-GE263 FOR GERBER

3-VALVE REBUILD KIT

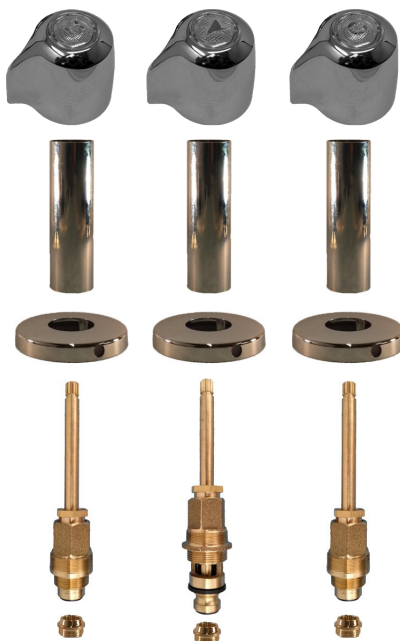


HOT & COLD STEM
GE20778B / GE20781
BW Hot & Cold Ref.
413301 / 413303
OEM Reference
98-673 / 98-675

DIVERTER STEM
GE20779
BW Diverter Ref.
433401
OEM Reference
96-230 / 98-726

KIT-GE273 FOR GERBER

3-VALVE REBUILD KIT



HOT & COLD STEM
GE20778B / GE20781
BW Hot & Cold Ref.
413301 / 413303
OEM Reference
98-673 / 98-675

DIVERTER STEM
GE20779
BW Diverter Ref.
433401
OEM Reference
96-230 / 98-726

KIT-GL102 FOR GLAUBER

2-VALVE REBUILD KIT



HOT & COLD STEM
415051

REBUILD KITS

KIT-GL103
FOR GLAUBER
3-VALVE REBUILD KIT



HOT & COLD STEM
415051

DIVERTER STEM
437451

KIT-GL113
FOR GLAUBER
3-VALVE REBUILD KIT



HOT & COLD STEM
424751

DIVERTER STEM
437451

KIT-GL122
FOR GLAUBER
2-VALVE REBUILD KIT



HOT & COLD STEM
415651

KIT-HA103
FOR HARCRAFT
3-VALVE REBUILD KIT



HOT & COLD STEM
HA20831
BW Hot & Cold Ref.
406001
OEM Reference
3261

DIVERTER STEM
HA20834
BW Diverter Ref.
430200
OEM Reference
3420

KIT-HA112
FOR HARCRAFT
2-VALVE REBUILD KIT



HOT & COLD STEM
413701

OEM Reference
3140

KIT-HA113
FOR HARCRAFT
3-VALVE REBUILD KIT



HOT & COLD STEM
413701

OEM Reference
3140

DIVERTER STEM
431801

OEM Reference
3233

REBUILD KITS

KIT-HA122
FOR HARCRAFT
2-VALVE REBUILD KIT



HOT & COLD STEM
HA20831
BW Hot & Cold Ref.
406001
OEM Reference
3261

KIT-HA123
FOR HARCRAFT
3-VALVE REBUILD KIT



HOT & COLD STEM
HA20831
BW Hot & Cold Ref.
406001
OEM Reference
3261

DIVERTER STEM
HA20834
BW Diverter Ref.
430200
OEM Reference
3420

KIT-HA133
FOR HARCRAFT
3-VALVE REBUILD KIT



HOT & COLD STEM
423001

DIVERTER STEM
435721

KIT-HA152
FOR HARCRAFT
2-VALVE REBUILD KIT



HOT & COLD STEM
HA20831
BW Hot & Cold Ref.
406001
OEM Reference
3261

KIT-HA153
FOR HARCRAFT
3-VALVE REBUILD KIT



HOT & COLD STEM
HA20831
BW Hot & Cold Ref.
406001
OEM Reference
3261

DIVERTER STEM
430501
OEM Reference
3262

KIT-HA162
FOR HARCRAFT
2-VALVE REBUILD KIT



HOT & COLD STEM
HA20831
BW Hot & Cold Ref.
406001
OEM Reference
3261

REBUILD KITS

KIT-HA163
FOR HARCRAFT
3-VALVE REBUILD KIT



HOT & COLD STEM
HA20831
BW Hot & Cold Ref.
406001
OEM Reference
3261

DIVERTER STEM
430501
OEM Reference
3262

KIT-HA172
FOR HARCRAFT
2-VALVE REBUILD KIT



HOT & COLD STEM
413501
OEM Reference
3038

KIT-HA173
FOR HARCRAFT
3-VALVE REBUILD KIT



HOT & COLD STEM
413501
OEM Reference
3038

DIVERTER STEM
431811
OEM Reference
3141

KIT-HA182
FOR HARCRAFT
2-VALVE REBUILD KIT



HOT & COLD STEM
LF464021
OEM Reference
3254

KIT-HA202
FOR HARCRAFT
2-VALVE REBUILD KIT



HOT & COLD STEM
413701
OEM Reference
3140

KIT-HA203
FOR HARCRAFT
3-VALVE REBUILD KIT



HOT & COLD STEM
413701
OEM Reference
3141

DIVERTER STEM
431811
OEM Reference
3141

REBUILD KITS

KIT-HA213
FOR HARCRAFT
3-VALVE REBUILD KIT



HOT & COLD STEM
HA20831
BW Hot & Cold Ref.
406001
OEM Reference
3261

DIVERTER STEM
430200
OEM Reference
3420

KIT-HJ102
FOR HAJOCA
2-VALVE REBUILD KIT



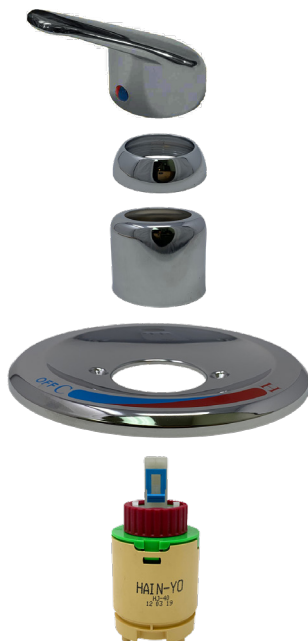
HOT & COLD STEM
415321

KIT-HJ112
FOR HAJOCA
2-VALVE REBUILD KIT



HOT & COLD STEM
422021

KIT-HU101
FOR HUNTINGTON
SINGLE VALVE REBUILD KIT



S/L CARTRIDGE
CC19023-OS

OEM Reference
ST7100

KIT-HU101-TRIM
FOR HUNTINGTON
TRIM KIT



KIT-HU111
FOR HUNTINGTON
SINGLE VALVE REBUILD KIT



S/L CARTRIDGE
CC19030

OEM Reference
ST5000C

REBUILD KITS

KIT-HU111-TRIM

FOR HUNTINGTON

TRIM KIT



KIT-IN102

FOR INDIANA

2-VALVE REBUILD KIT



HOT & COLD STEM
IN20911
BW Hot & Cold Ref.
402901
OEM Reference
552-C-RH

KIT-IN103

FOR INDIANA

3-VALVE REBUILD KIT



HOT & COLD STEM
IN20911
BW Hot & Cold Ref.
402901
OEM Reference
552-C-RH

DIVERTER STEM
430511

OEM Reference
592F3UN

KIT-IN113

FOR INDIANA

3-VALVE REBUILD KIT



HOT & COLD STEM
IN20911
BW Hot & Cold Ref.
402901
OEM Reference
552-C-RH

DIVERTER STEM
432730

OEM Reference
27610

KIT-IN123

FOR INDIANA

3-VALVE REBUILD KIT



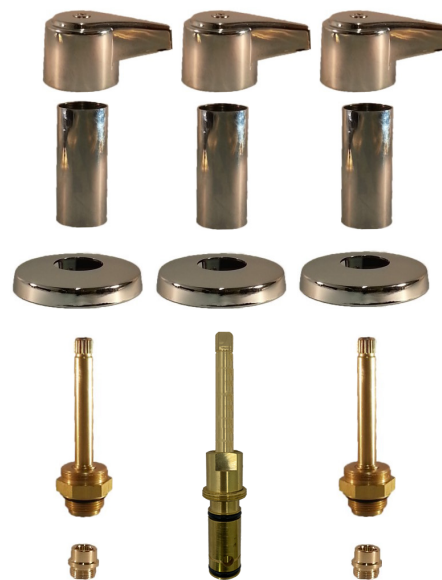
HOT & COLD STEM
IN20911
BW Hot & Cold Ref.
402901
OEM Reference
552-C-RH

DIVERTER STEM
437700

KIT-IN133

FOR INDIANA

3-VALVE REBUILD KIT



HOT & COLD STEM
IN20911 / IN20912
BW Hot & Cold Ref.
402901 / 402902

DIVERTER STEM
432710

REBUILD KITS

KIT-KO102

FOR KOHLER

2-VALVE REBUILD KIT



HOT & COLD STEM
KO21101
BW Hot & Cold Ref.
404231
OEM Reference
30119

KIT-KO103

FOR KOHLER

3-VALVE REBUILD KIT



HOT & COLD STEM
KO21101
BW Hot & Cold Ref.
404231
OEM Reference
30119

DIVERTER STEM
KO21111
BW Diverter Ref.
430941
OEM Reference
40281, 30467, 21130

KIT-KO112

FOR KOHLER

2-VALVE REBUILD KIT



HOT & COLD STEM
KO21104
BW Hot & Cold Ref.
425911
OEM Reference
20242 (stem)

KIT-KO113

FOR KOHLER

3-VALVE REBUILD KIT



HOT & COLD STEM
KO21104
BW Hot & Cold Ref.
425911
OEM Reference
20242 (stem)

DIVERTER STEM
437301
BW Diverter Ref.
22862

KIT-KO122

FOR KOHLER

2-VALVE REBUILD KIT



HOT & COLD STEM
KO21104
BW Hot & Cold Ref.
425911
OEM Reference
20242 (stem)

KIT-KO123

FOR KOHLER

3-VALVE REBUILD KIT



HOT & COLD STEM
KO21104
BW Hot & Cold Ref.
425911
OEM Reference
20242 (stem)

DIVERTER STEM
437331

REBUILD KITS

KIT-KO132 FOR KOHLER 2-VALVE REBUILD KIT



HOT & COLD STEM
KO11134
BW Hot & Cold Ref.
LF460052
OEM Reference
30002

KIT-KO132-B FOR KOHLER 2-VALVE REBUILD KIT



BRASS
PLUNGER

BRASS
PLUNGER

HOT & COLD STEM
KO11124-LF
BW Hot & Cold Ref.
LF460052-B
OEM Reference
30134

KIT-KO133 FOR KOHLER 3-VALVE REBUILD KIT



HOT & COLD STEM
KO11134
BW Hot & Cold Ref.
LF460052
OEM Reference
30002

DIVERTER STEM
KO21113
BW Diverter Ref.
431412

KIT-KO133-B FOR KOHLER 3-VALVE REBUILD KIT



BRASS
PLUNGER

BRASS
PLUNGER

HOT & COLD STEM
KO11124-LF
BW Hot & Cold Ref.
LF460052-B
OEM Reference
30134

DIVERTER STEM
KO21113
BW Diverter Ref.
413412

KIT-KO143 FOR KOHLER 3-VALVE REBUILD KIT



BRASS
PLUNGER

BRASS
PLUNGER

BRASS
PLUNGER

HOT & COLD STEM
KO21101
BW Hot & Cold Ref.
404231
OEM Reference
30119

DIVERTER STEM
KO21112
BW Diverter Ref.
433171
OEM Reference
30139

KIT-KO152 FOR KOHLER 2-VALVE REBUILD KIT



HOT & COLD STEM
KO21102
BW Hot & Cold Ref.
404201
OEM Reference
20905

REBUILD KITS

KIT-KO153

FOR KOHLER

3-VALVE REBUILD KIT



HOT & COLD STEM
KO21102
BW Hot & Cold Ref.
404201
OEM Reference
20905

DIVERTER STEM
KO21114
BW Diverter Ref.
432910
OEM Reference
20868, 30050

KIT-KO162

FOR KOHLER

2-VALVE REBUILD KIT



HOT & COLD STEM
407022

OEM Reference
20654

KIT-KO163

FOR KOHLER

3-VALVE REBUILD KIT



HOT & COLD STEM
407022

OEM Reference
20654

DIVERTER STEM
433422

KIT-KO172

FOR KOHLER

2-VALVE REBUILD KIT



HOT & COLD STEM
KO11134
BW Hot & Cold Ref.
LF460052
OEM Reference
30002

KIT-KO172-B

FOR KOHLER

2-VALVE REBUILD KIT



HOT & COLD STEM
KO11124-LF
BW Hot & Cold Ref.
LF460052-B
OEM Reference
30134

KIT-KO183

FOR KOHLER

3-VALVE REBUILD KIT



HOT & COLD STEM
KO11134
BW Hot & Cold Ref.
LF460052
OEM Reference
30002

DIVERTER STEM
432810
OEM Reference
42011

REBUILD KITS

KIT-KO183-B

FOR KOHLER

3-VALVE REBUILD KIT



HOT & COLD STEM
KO11124-LF
BW Hot & Cold Ref.
LF460052-B
OEM Reference
30134

DIVERTER STEM
432810

OEM Reference
42011

KIT-KO192

FOR KOHLER

2-VALVE REBUILD KIT



HOT & COLD STEM
KO11127-LF
BW Hot & Cold Ref.
LF450051
OEM Reference
20786

KIT-KO202

FOR KOHLER

2-VALVE REBUILD KIT



HOT & COLD STEM
426901

OEM Reference
20140

KIT-KO203

FOR KOHLER

3-VALVE REBUILD KIT



HOT & COLD STEM
426901

OEM Reference
20140

DIVERTER STEM
437301
BW Diverter Ref.
22862

KIT-KO212

FOR KOHLER

2-VALVE REBUILD KIT



HOT & COLD STEM
426901

KIT-KO213

FOR KOHLER

3-VALVE REBUILD KIT



HOT & COLD STEM
426901

DIVERTER STEM
437301
BW Diverter Ref.
22862

REBUILD KITS

KIT-KO222
FOR KOHLER
2-VALVE REBUILD KIT



BRASS
PLUNGERS

HOT & COLD STEM
KO11124-LF
BW Hot & Cold Ref.
LF460052-B
OEM Reference
30134

KIT-KO243
FOR KOHLER
3-VALVE REBUILD KIT



HOT & COLD STEM
407022

DIVERTER STEM
433422

KIT-KO252
FOR KOHLER
2-VALVE REBUILD KIT



HOT & COLD STEM
425961

KIT-KO253
FOR KOHLER
3-VALVE REBUILD KIT



HOT & COLD STEM
425961

DIVERTER STEM
437321

KIT-KO262
FOR KOHLER
2-VALVE REBUILD KIT



HOT & COLD STEM
425931

KIT-KO263
FOR KOHLER
3-VALVE REBUILD KIT



HOT & COLD STEM
425931

DIVERTER STEM
437311

REBUILD KITS

KIT-KO272-B

FOR KOHLER

2-VALVE REBUILD KIT



HOT & COLD STEM
KO11124-LF
BW Hot & Cold Ref.
LF460052-B

KIT-KO282

FOR KOHLER

2-VALVE REBUILD KIT



HOT & COLD STEM
426801

KIT-KO284

FOR KOHLER

4-VALVE REBUILD KIT



HOT & COLD STEM
426801

KIT-KO291

FOR KOHLER

SINGLE VALVE REBUILD KIT



OLD STYLE S/L ASSY.
KO11184 - OEM GP76851
S/L CARTRIDGE ONLY
KO11180
OEM Reference
GP77759

**PRESSURE
BALANCE ONLY**
KO11182
OEM Reference
GP500520

KIT-KO291-NS

FOR KOHLER

SINGLE VALVE REBUILD KIT NEW STYLE



NEW STYLE S/L ASSY.
KO11189 - OEM GP876851
S/L CARTRIDGE ONLY
KO11180
OEM Reference
GP77759

**PRESSURE
BALANCE ONLY**
KO11186
OEM Reference
GP800820

KIT-KO301

FOR KOHLER

SINGLE VALVE REBUILD KIT



S/L CARTRIDGE
KO11187

OEM Reference
K-8305-NA / GP800881

REBUILD KITS

KIT-KR102 FOR KROWNE 2-VALVE REBUILD KIT



GLAND THREADS TURN
CLOCKWISE
INTO VALVE BODY



GLAND THREADS TURN
CLOCKWISE
INTO VALVE BODY



HOT & COLD STEM
LF455411 / LF455412

OEM Reference
21-355L

KIT-LO102 FOR LOGAN 2-VALVE REBUILD KIT



HOT & COLD STEM
426301

KIT-MG103 FOR MICHIGAN 3-VALVE REBUILD KIT



HOT & COLD STEM
403421

DIVERTER STEM
431210

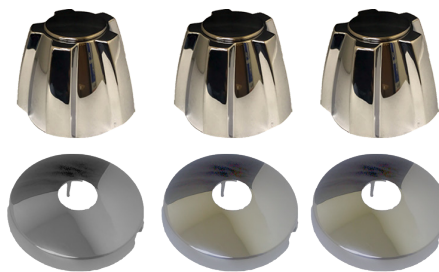
OEM Reference
13784

KIT-MG112 FOR MICHIGAN 2-VALVE REBUILD KIT



HOT & COLD STEM
403421

KIT-MG123 FOR MICHIGAN 3-VALVE REBUILD KIT



HOT & COLD STEM
403421

DIVERTER STEM
431210

OEM Reference
13784

KIT-MO101 FOR MOEN SINGLE VALVE REBUILD KIT



S/L CARTRIDGE
MO21305

OEM Reference
1200

REBUILD KITS

KIT-MO101-BN

FOR MOEN

SINGLE VALVE REBUILD KIT BRUSHED NICKEL



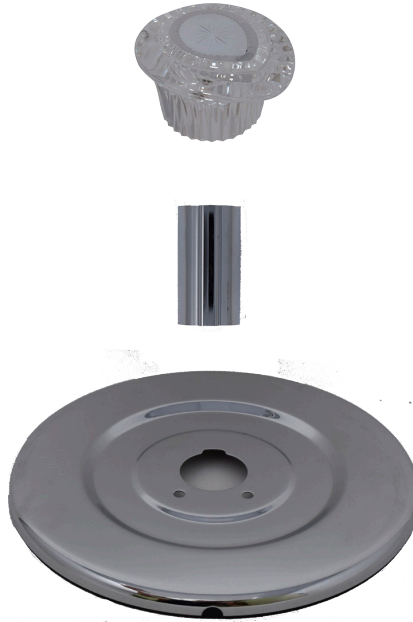
S/L CARTRIDGE
MO21305

OEM Reference
1200

KIT-MO101-TRIM

FOR MOEN

TRIM KIT



KIT-MO101-TRIM-BN

FOR MOEN

TRIM KIT BRUSHED NICKEL



KIT-MO111

FOR MOEN

SINGLE VALVE REBUILD KIT



S/L CARTRIDGE
MO21305

OEM Reference
1200

KIT-MO111-TRIM

FOR MOEN

TRIM KIT



KIT-MO121

FOR MOEN

SINGLE VALVE REBUILD KIT



S/L CARTRIDGE
MO21306

OEM Reference
1222

REBUILD KITS

KIT-MO121-BN

FOR MOEN

SINGLE VALVE REBUILD KIT BRUSHED NICKEL



S/L CARTRIDGE
MO21306

OEM Reference
1222

KIT-MO121-TRIM

FOR MOEN

TRIM KIT



KIT-MO121-TRIM-BN

FOR MOEN

TRIM KIT BRUSHED NICKEL



KIT-MO131

FOR MOEN

SINGLE VALVE REBUILD KIT



S/L CARTRIDGE
MO21305

DIVERTER STEM
430450

OEM Reference
1200

OEM Reference
1198

KIT-MO131-TRIM

FOR MOEN

TRIM KIT



KIT-MO141

FOR MOEN

SINGLE VALVE REBUILD KIT



S/L CARTRIDGE
MO21305

DIVERTER STEM
430450

OEM Reference
1200

OEM Reference
1198

REBUILD KITS

KIT-MO141-TRIM
FOR MOEN
TRIM KIT



KIT-MO151-TRIM
FOR MOEN
TRIM KIT



KIT-MO162
FOR MOEN
2-VALVE REBUILD KIT



HOT & COLD STEM
MO11301

OEM Reference
1224

KIT-MO163
FOR MOEN
3-VALVE REBUILD KIT



HOT & COLD STEM
MO11301

DIVERTER STEM
436390

OEM Reference
1224

OEM Reference
94543

KIT-MO181
FOR MOEN
SINGLE VALVE REBUILD KIT



S/L CARTRIDGE
MO21306

OEM Reference
1224

KIT-MO181-TRIM
FOR MOEN
TRIM KIT



REBUILD KITS

KIT-MU102
FOR MUELLER
2-VALVE REBUILD KIT



HOT & COLD STEM
414751

KIT-MU112
FOR MUELLER
2-VALVE REBUILD KIT



HOT & COLD STEM
414851

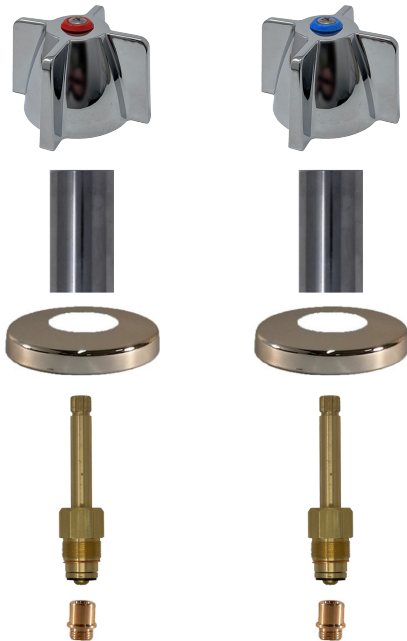
KIT-MU113
FOR MUELLER
3-VALVE REBUILD KIT



HOT & COLD STEM
414851

DIVERTER STEM
438200

KIT-MW102
FOR MILWAUKEE
2-VALVE REBUILD KIT



HOT & COLD STEM
402591

KIT-MW113
FOR MILWAUKEE
3-VALVE REBUILD KIT



HOT & COLD STEM
404901

DIVERTER STEM
434721

OEM Reference
5090

OEM Reference
5091

KIT-MW122
FOR MILWAUKEE
2-VALVE REBUILD KIT



HOT & COLD STEM
459621

REBUILD KITS

KIT-MW132
FOR MILWAUKEE
2-VALVE REBUILD KIT



HOT & COLD STEM
419451

KIT-MX101
FOR MIXET
SINGLE VALVE REBUILD KIT



S/L CARTRIDGE
MX21348-B

CLEAR HANDLE

OEM Reference
MS5AT-CR

KIT-MX111
FOR MIXET
SINGLE VALVE REBUILD KIT



S/L CARTRIDGE
MX21348-B

CLEAR HANDLE

OEM Reference
MS5AT-CR

KIT-MX201
FOR MIXET
SINGLE VALVE REBUILD KIT



S/L CARTRIDGE
MX21348-B

CLEAR HANDLE

OEM Reference
MS5AT-CR

KIT-MX201-TRIM
FOR MIXET
TRIM KIT



CLEAR HANDLE

KIT-MX211-TRIM
FOR MIXET
TRIM KIT



CLEAR HANDLE

REBUILD KITS

KIT-MX301

FOR MIXET

SINGLE VALVE REBUILD KIT



S/L CARTRIDGE
MX21348-B

OEM Reference
MS5AT-CR

KIT-MX301-TRIM

FOR MIXET

TRIM KIT



KIT-MX401

FOR MIXET

SINGLE VALVE REBUILD KIT



S/L CARTRIDGE
MX21348-B

SMOKE HANDLE

OEM Reference
MS5AT-CR

KIT-MX401-TRIM

FOR MIXET

TRIM KIT



SMOKE HANDLE

KIT-NI101

FOR NIBCO

SINGLE VALVE REBUILD KIT



S/L CARTRIDGE
NI11440

OEM Reference
85549 / NI1300-5-0

KIT-NI112

FOR NIBCO

2-VALVE REBUILD KIT



HOT & COLD STEM
NI11439

OEM Reference
P22

REBUILD KITS

KIT-NI113

FOR NIBCO

3-VALVE REBUILD KIT



HOT & COLD STEM
NI11439

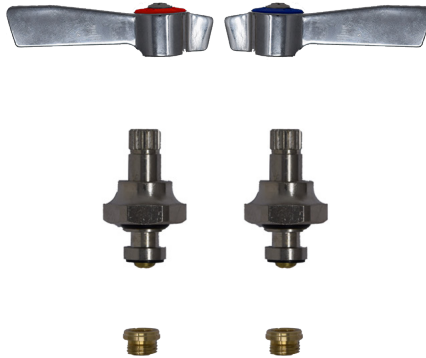
DIVERTER STEM
230730

OEM Reference
P22

KIT-NO102

FOR NORCA

2-VALVE REBUILD KIT



HOT & COLD STEM
LF454181 / LF454182

KIT-PF101

FOR PROFLO

SINGLE VALVE REBUILD KIT



S/L CARTRIDGE
CC19047

OEM Reference
ACF3001CRT

KIT-PP102

FOR PRICE PFISTER

2-VALVE REBUILD KIT



HOT & COLD STEM
PP21651
BW Hot & Cold Ref.
421601
OEM Reference
910-374

KIT-PP102-BN

FOR PRICE PFISTER

2-VALVE REBUILD KIT BRUSHED NICKEL



HOT & COLD STEM
PP21651
BW Hot & Cold Ref.
421601
OEM Reference
910-374

KIT-PP102-MB

FOR PRICE PFISTER

2-VALVE REBUILD KIT MATTE BLACK



HOT & COLD STEM
PP21651
BW Hot & Cold Ref.
421601
OEM Reference
910-374

REBUILD KITS

KIT-PP102-TRIM-BN

FOR PRICE PFISTER

TRIM KIT BRUSHED NICKEL



KIT-PP102-TRIM-MB

FOR PRICE PFISTER

TRIM KIT MATTE BLACK



KIT-PP103

FOR PRICE PFISTER

3-VALVE REBUILD KIT



HOT & COLD STEM
PP21651
BW Hot & Cold Ref.
421601
OEM Reference
910-374

DIVERTER STEM
PP21652
BW Diverter Ref.
434701
OEM Reference
910-385

KIT-PP103-BN

FOR PRICE PFISTER

3-VALVE REBUILD KIT BRUSHED NICKEL



KIT-PP103-MB

FOR PRICE PFISTER

3-VALVE REBUILD KIT MATTE BLACK



KIT-PP103-TRIM

FOR PRICE PFISTER

TRIM KIT



HOT & COLD STEM
PP21651
BW Hot & Cold Ref.
421601
OEM Reference
910-374

DIVERTER STEM
PP21652
BW Diverter Ref.
434701
OEM Reference
910-385

HOT & COLD STEM
PP21651
BW Hot & Cold Ref.
421601
OEM Reference
910-374

DIVERTER STEM
PP21652
BW Diverter Ref.
434701
OEM Reference
910-385

REBUILD KITS

KIT-PP103-TRIM-BN

FOR PRICE PFISTER

TRIM KIT BRUSHED NICKEL



KIT-PP103-TRIM-MB

FOR PRICE PFISTER

TRIM KIT MATTE BLACK



KIT-PP103-US-BN

FOR PRICE PFISTER

TRIM KIT BRUSHED NICKEL



HOT & COLD STEM
421601

DIVERTER STEM
434701

OEM Reference
910-374

KIT-PP112

FOR PRICE PFISTER

2-VALVE REBUILD KIT



HOT & COLD STEM
PP21653
BW Hot & Cold Ref.
421611
OEM Reference
910-372

KIT-PP113

FOR PRICE PFISTER

3-VALVE REBUILD KIT



HOT & COLD STEM
PP21653
BW Hot & Cold Ref.
421611
OEM Reference
910-372

DIVERTER STEM
PP21654
BW Diverter Ref.
434711
OEM Reference
910-382

KIT-PP122

FOR PRICE PFISTER

2-VALVE REBUILD KIT



HOT & COLD STEM
PP21651
BW Hot & Cold Ref.
421601
OEM Reference
910-374

REBUILD KITS

KIT-PP123 FOR PRICE PFISTER 3-VALVE REBUILD KIT



HOT & COLD STEM
PP21651
BW Hot & Cold Ref.
421601
OEM Reference
910-374

DIVERTER STEM
PP21652
BW Diverter Ref.
434701
OEM Reference
910-385

KIT-PP132 FOR PRICE PFISTER 2-VALVE REBUILD KIT



HOT & COLD STEM
PP21653
BW Hot & Cold Ref.
421611
OEM Reference
910-372

DIVERTER STEM
PP21654
BW Diverter Ref.
434711
OEM Reference
910-382

KIT-PP133 FOR PRICE PFISTER 3-VALVE REBUILD KIT



HOT & COLD STEM
PP21653
BW Hot & Cold Ref.
421611
OEM Reference
910-372

DIVERTER STEM
PP21654
BW Diverter Ref.
434711
OEM Reference
910-382

KIT-PP142 FOR PRICE PFISTER 2-VALVE REBUILD KIT



HOT & COLD STEM
PP21651
BW Hot & Cold Ref.
421601
OEM Reference
910-374

KIT-PP143 FOR PRICE PFISTER 3-VALVE REBUILD KIT



HOT & COLD STEM
PP21651
BW Hot & Cold Ref.
421601
OEM Reference
910-374

DIVERTER STEM
PP21652
BW Diverter Ref.
434701
OEM Reference
910-385

KIT-PP152 FOR PRICE PFISTER 2-VALVE REBUILD KIT



HOT & COLD STEM
PP21651
BW Hot & Cold Ref.
421601
OEM Reference
910-374

REBUILD KITS

KIT-PP153 FOR PRICE PFISTER 3-VALVE REBUILD KIT



HOT & COLD STEM
PP21651
BW Hot & Cold Ref.
421601
OEM Reference
910-374

DIVERTER STEM
PP21652
BW Diverter Ref.
434701
OEM Reference
910-385

KIT-PP162 FOR PRICE PFISTER 2-VALVE REBUILD KIT



HOT & COLD STEM
PP21670
BW Hot & Cold Ref.
405411
OEM Reference
910-030

KIT-PP162-BN FOR PRICE PFISTER 2-VALVE REBUILD KIT BRUSHED NICKEL



HOT & COLD STEM
PP21670
BW Hot & Cold Ref.
405411
OEM Reference
910-030

KIT-PP162-MB FOR PRICE PFISTER 2-VALVE REBUILD KIT MATTE BLACK



HOT & COLD STEM
PP21670
BW Hot & Cold Ref.
405411
OEM Reference
910-030

KIT-PP162-PORC FOR PRICE PFISTER 2-VALVE REBUILD KIT



HOT & COLD STEM
PP21670
BW Hot & Cold Ref.
405411
OEM Reference
910-030

KIT-PP163 FOR PRICE PFISTER 3-VALVE REBUILD KIT



HOT & COLD STEM
PP21670
BW Hot & Cold Ref.
405411
OEM Reference
910-030

DIVERTER STEM
PP21656
BW Diverter Ref.
430301
OEM Reference
910-022

REBUILD KITS

KIT-PP163-BN FOR PRICE PFISTER

3-VALVE REBUILD KIT BRUSHED NICKEL



HOT & COLD STEM
PP21670
BW Hot & Cold Ref.
405411
OEM Reference
910-030

DIVERTER STEM
PP21656
BW Diverter Ref.
430301
OEM Reference
910-022

KIT-PP163-MB FOR PRICE PFISTER

3-VALVE REBUILD KIT MATTE NICKEL



HOT & COLD STEM
PP21670
BW Hot & Cold Ref.
405411
OEM Reference
910-030

DIVERTER STEM
PP21656
BW Diverter Ref.
430301
OEM Reference
910-022

KIT-PP163-PORC FOR PRICE PFISTER

3-VALVE REBUILD KIT



HOT & COLD STEM
PP21670
BW Hot & Cold Ref.
405411
OEM Reference
910-030

DIVERTER STEM
PP21656
BW Diverter Ref.
430301
OEM Reference
910-022

KIT-PP163-PORC2 FOR PRICE PFISTER

3-VALVE REBUILD KIT



HOT & COLD STEM
PP21670
BW Hot & Cold Ref.
405411
OEM Reference
910-030

DIVERTER STEM
PP21656
BW Diverter Ref.
430301
OEM Reference
910-022

KIT-PP172 FOR PRICE PFISTER

2-VALVE REBUILD KIT



HOT & COLD STEM
PP11640
BW Hot & Cold Ref.
401311
OEM Reference
910-403

KIT-PP173 FOR PRICE PFISTER

3-VALVE REBUILD KIT



HOT & COLD STEM
PP11640
BW Hot & Cold Ref.
401311
OEM Reference
910-403

DIVERTER STEM
PP11641
BW Diverter Ref.
430071
OEM Reference
910-661

REBUILD KITS

KIT-PP182
FOR PRICE PFISTER
2-VALVE REBUILD KIT



HOT & COLD STEM
PP21655
BW Hot & Cold Ref.
405101
OEM Reference
910-013

KIT-PP183
FOR PRICE PFISTER
3-VALVE REBUILD KIT



HOT & COLD STEM
PP21655
BW Hot & Cold Ref.
405101
OEM Reference
910-013

DIVERTER STEM
PP21656
BW Diverter Ref.
430301
OEM Reference
910-022

KIT-PP183-PORC
FOR PRICE PFISTER
3-VALVE REBUILD KIT



HOT & COLD STEM
PP21656
BW Hot & Cold Ref.
405101
OEM Reference
910-013

DIVERTER STEM
PP21656
BW Diverter Ref.
430301
OEM Reference
910-022

KIT-PP183-PORC2
FOR PRICE PFISTER
3-VALVE REBUILD KIT



HOT & COLD STEM
FA32271

DIVERTER STEM
FA32271D

KIT-PP192
FOR PRICE PFISTER
2-VALVE REBUILD KIT



HOT & COLD STEM
415301

OEM Reference
910-043

KIT-PP193
FOR PRICE PFISTER
3-VALVE REBUILD KIT



HOT & COLD STEM
415301

OEM Reference
910-043

DIVERTER STEM
432001

OEM Reference
910-052

REBUILD KITS

KIT-PP193-PORC

FOR PRICE PFISTER

3-VALVE REBUILD KIT



HOT & COLD STEM
415301

DIVERTER STEM
432001

OEM Reference
910-043

OEM Reference
910-052

KIT-PP202

FOR PRICE PFISTER

2-VALVE REBUILD KIT



HOT & COLD STEM
PP21655
BW Hot & Cold Ref.
405101
OEM Reference
910-013

KIT-PP203

FOR PRICE PFISTER

3-VALVE REBUILD KIT



HOT & COLD STEM
PP21655
BW Hot & Cold Ref.
405101
OEM Reference
910-013

DIVERTER STEM
PP21656
BW Diverter Ref.
430301
OEM Reference
910-022

KIT-PP212

FOR PRICE PFISTER

2-VALVE REBUILD KIT



HOT & COLD STEM
PP21655
BW Hot & Cold Ref.
405101
OEM Reference
910-013

KIT-PP213

FOR PRICE PFISTER

3-VALVE REBUILD KIT



HOT & COLD STEM
PP21655
BW Hot & Cold Ref.
405101
OEM Reference
910-013

DIVERTER STEM
PP21656
BW Diverter Ref.
430301
OEM Reference
910-022

KIT-PP222

FOR PRICE PFISTER

2-VALVE REBUILD KIT



HOT & COLD STEM
405441

OEM Reference
910-030 NEW STYLE

REBUILD KITS

KIT-PP223
FOR PRICE PFISTER
3-VALVE REBUILD KIT



HOT & COLD STEM
405441

OEM Reference
910-030 NEW STYLE

DIVERTER STEM
PP21656
BW Diverter Ref.
430301
OEM Reference
910-022

KIT-PP232
FOR PRICE PFISTER
2-VALVE REBUILD KIT



HOT & COLD STEM
PP21670
BW Hot & Cold Ref.
405411
OEM Reference
910-030

KIT-PP233
FOR PRICE PFISTER
3-VALVE REBUILD KIT



HOT & COLD STEM
PP21670
BW Hot & Cold Ref.
405411
OEM Reference
910-030

DIVERTER STEM
PP21656
BW Diverter Ref.
430301
OEM Reference
910-022

KIT-PP252
FOR PRICE PFISTER
2-VALVE REBUILD KIT



HOT & COLD STEM
PP11635-LF
BW Hot & Cold Ref.
LF453051
OEM Reference
910-392

KIT-PP262
FOR PRICE PFISTER
2-VALVE REBUILD KIT



HOT & COLD STEM
PP21655
BW Hot & Cold Ref.
405101
OEM Reference
910-013

KIT-PP263
FOR PRICE PFISTER
3-VALVE REBUILD KIT



HOT & COLD STEM
PP21655
BW Hot & Cold Ref.
405101
OEM Reference
910-013

DIVERTER STEM
PP21656
BW Diverter Ref.
430301
OEM Reference
910-022

REBUILD KITS

KIT-PP272
FOR PRICE PFISTER
2-VALVE REBUILD KIT



HOT & COLD STEM
PP21651
BW Hot & Cold Ref.
421601
OEM Reference
910-374

KIT-PP273
FOR PRICE PFISTER
3-VALVE REBUILD KIT



HOT & COLD STEM
PP21651
BW Hot & Cold Ref.
421601
OEM Reference
910-374

DIVERTER STEM
PP21652
BW Diverter Ref.
434701
OEM Reference
910-385

KIT-PP282
FOR PRICE PFISTER
2-VALVE REBUILD KIT



HOT & COLD STEM
PP11635-LF
BW Hot & Cold Ref.
LF453051
OEM Reference
910-392

KIT-PP292
FOR PRICE PFISTER
2-VALVE REBUILD KIT



HOT & COLD STEM
PP21670
BW Hot & Cold Ref.
405411
OEM Reference
910-030

KIT-PP293
FOR PRICE PFISTER
3-VALVE REBUILD KIT



HOT & COLD STEM
PP21670
BW Hot & Cold Ref.
405411
OEM Reference
910-030

DIVERTER STEM
PP21656
BW Diverter Ref.
430301
OEM Reference
910-022

KIT-PP302
FOR PRICE PFISTER
2-VALVE REBUILD KIT



HOT & COLD STEM
PP21653
BW Hot & Cold Ref.
421611
OEM Reference
910-372

REBUILD KITS

KIT-PP303
FOR PRICE PFISTER
3-VALVE REBUILD KIT



HOT & COLD STEM
PP21653
BW Hot & Cold Ref.
421611
OEM Reference
910-372

DIVERTER STEM
PP21654
BW Diverter Ref.
434711
OEM Reference
910-382

KIT-PP321
FOR PRICE PFISTER
SINGLE VALVE REBUILD KIT



S/L CARTRIDGE
PP11691

OEM Reference
974-292

KIT-PP321-TRIM
FOR PRICE PFISTER
TRIM KIT



KIT-PP332
FOR PRICE PFISTER
2-VALVE REBUILD KIT



STOP STEM
OEM REF #
910-192

STOP STEM
OEM REF. #
910-192

HOT & COLD STEM
PP21651
BW Hot & Cold Ref.
421601
OEM Reference
910-374

KIT-PP333
FOR PRICE PFISTER
3-VALVE REBUILD KIT



STOP STEM
OEM REF #
910-192

STOP STEM
OEM REF #
910-192

HOT & COLD STEM
PP21651
BW Hot & Cold Ref.
421601
OEM Reference
910-374

DIVERTER STEM
PP21652
BW Diverter Ref.
434701
OEM Reference
910-385

KIT-PP342
FOR PRICE PFISTER
2-VALVE REBUILD KIT

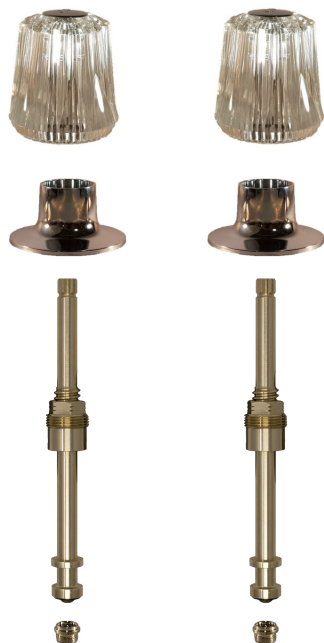


HOT & COLD STEM
LF480071

OEM Reference
910-523

REBUILD KITS

KIT-PP352 FOR PRICE PFISTER 2-VALVE REBUILD KIT



HOT & COLD STEM
LF480071

OEM Reference
910-523

KIT-PP363 FOR PRICE PFISTER 3-VALVE REBUILD KIT



HOT & COLD STEM
PP21651
BW Hot & Cold Ref.
421601
OEM Reference
910-374

DIVERTER STEM
434751

KIT-PP373 FOR PRICE PFISTER 3-VALVE REBUILD KIT



HOT & COLD STEM
PP11640
BW Hot & Cold Ref.
401311

DIVERTER STEM
PP11641
BW Diverter Ref.
430071

KIT-PP383 FOR PRICE PFISTER 3-VALVE REBUILD KIT



HOT & COLD STEM
PP21670
BW Hot & Cold Ref.
405411
OEM Reference
910-030

DIVERTER STEM
PP21654
BW Diverter Ref.
434711

KIT-PP392 FOR PRICE PFISTER 2-VALVE REBUILD KIT



HOT & COLD STEM
PP11640
BW Hot & Cold Ref.
401311
OEM Reference
910-403

KIT-PP393 FOR PRICE PFISTER 3-VALVE REBUILD KIT



HOT & COLD STEM
PP11640
BW Hot & Cold Ref.
401311
OEM Reference
910-403

DIVERTER STEM
PP11641
BW Diverter Ref.
430071
OEM Reference
910-661

REBUILD KITS

KIT-PP403 FOR PRICE PFISTER 3-VALVE REBUILD KIT



HOT & COLD STEM
421601-CP

DIVERTER STEM
438351

KIT-PP412 FOR PRICE PFISTER 2-VALVE REBUILD KIT



HOT & COLD STEM
402311

OEM Reference
910-413

KIT-PP413 FOR PRICE PFISTER 3-VALVE REBUILD KIT



HOT & COLD STEM
402311

OEM Reference
910-413

DIVERTER STEM
430091

OEM Reference
910-121

KIT-PP423 FOR PRICE PFISTER 3-VALVE REBUILD KIT



HOT & COLD STEM
PP21651
BW Hot & Cold Ref.
421601
OEM Reference
910-374

DIVERTER STEM
PP21652
BW Diverter Ref.
434701
OEM Reference
910-385

KIT-PP431 FOR PRICE PFISTER SINGLE VALVE REBUILD KIT



S/L CARTRIDGE ONLY
PP11697

OEM Reference
910-250

**PRESSURE
BALANCE ONLY**
PP11695

OEM Reference
C974-291

KIT-PP441 FOR PRICE PFISTER SINGLE VALVE REBUILD KIT



S/L CARTRIDGE ONLY
PP11697

OEM Reference
910-250

**PRESSURE
BALANCE ONLY**
PP11695

OEM Reference
C974-291

REBUILD KITS

KIT-PP451
FOR PRICE PFISTER
SINGLE VALVE REBUILD KIT



S/L CARTRIDGE
PP11698

OEM Reference
974-042

KIT-PP461
FOR PRICE PFISTER
SINGLE VALVE REBUILD KIT



S/L CARTRIDGE
PP11698

OEM Reference
974-042

KIT-PP473-PORC
FOR PRICE PFISTER
3-VALVE REBUILD KIT



HOT & COLD STEM
420851

DIVERTER STEM
438351

KIT-PP492
FOR PRICE PFISTER
2-VALVE REBUILD KIT



HOT & COLD STEM
420151

KIT-PU102
FOR PUBCO
2-VALVE REBUILD KIT



HOT & COLD STEM
413251

KIT-PU103
FOR PUBCO
3-VALVE REBUILD KIT



HOT & COLD STEM
413251

DIVERTER STEM
434951

REBUILD KITS

KIT-PU103-PORC

FOR PUBCO

3-VALVE REBUILD KIT



HOT & COLD STEM
413251

DIVERTER STEM
434951

KIT-PX102

FOR PHOENIX

2-VALVE REBUILD KIT



HOT & COLD STEM
LF451221

OEM Reference
43-5-0

KIT-PX103

FOR PHOENIX

3-VALVE REBUILD KIT



HOT & COLD STEM
LF451221

OEM Reference
43-5-0

DIVERTER STEM
431430 & PH11560

OEM Reference
639-5-0

KIT-RY102

FOR ROYAL BRASS

2-VALVE REBUILD KIT



HOT & COLD STEM
403621

KIT-RY103

FOR ROYAL BRASS

3-VALVE REBUILD KIT



HOT & COLD STEM
403621

DIVERTER STEM
433520

OEM Reference
U274

KIT-RY113

FOR ROYAL BRASS

3-VALVE REBUILD KIT



HOT & COLD STEM
426001

DIVERTER STEM
439630

OEM Reference
ROYU-099

REBUILD KITS

KIT-RY122 FOR ROYAL BRASS 2-VALVE REBUILD KIT



HOT & COLD STEM
419031

OEM Reference
U678-4019

KIT-SA102 FOR SAYCO 2-VALVE REBUILD KIT



HOT & COLD STEM
SA21951
BW Hot & Cold Ref.
407201
OEM Reference
P002 or K 1-3

KIT-SA103 FOR SAYCO 3-VALVE REBUILD KIT



HOT & COLD STEM
SA21951
BW Hot & Cold Ref.
407201
OEM Reference
P002 or K 1-3

DIVERTER STEM
SA21953
BW Diverter Ref.
430701
OEM Reference
P006 or KDA49

KIT-SA112 FOR SAYCO 2-VALVE REBUILD KIT



HOT & COLD STEM
SA21951
BW Hot & Cold Ref.
407201
OEM Reference
P002 or K 1-3

KIT-SA113 FOR SAYCO 3-VALVE REBUILD KIT



HOT & COLD STEM
SA21951
BW Hot & Cold Ref.
407201
OEM Reference
P002 or K 1-3

DIVERTER STEM
SA21953
BW Diverter Ref.
430701
OEM Reference
P006 or KDA49

KIT-SA123 FOR SAYCO 3-VALVE REBUILD KIT



HOT & COLD STEM
409911
OEM Reference
P1024

DIVERTER STEM
SA21953
BW Diverter Ref.
430701
OEM Reference
P006 or KDA49

REBUILD KITS

KIT-SA132

FOR SAYCO

2-VALVE REBUILD KIT



HOT & COLD STEM
409611

OEM Reference
SBS1033

KIT-SA133

FOR SAYCO

3-VALVE REBUILD KIT



HOT & COLD STEM
409611

DIVERTER STEM
431341

OEM Reference
SBS1033

KIT-SA142

FOR SAYCO

2-VALVE REBUILD KIT



HOT & COLD STEM
409801

OEM Reference
KLOS-1

KIT-SA143

FOR SAYCO

3-VALVE REBUILD KIT



HOT & COLD STEM
409801

DIVERTER STEM
431401

OEM Reference
KLOS-1

OEM Reference
KLOS-1D

KIT-SA152

FOR SAYCO

2-VALVE REBUILD KIT



HOT & COLD STEM
SA21951

BW Hot & Cold Ref.
407201

OEM Reference
P002 or K 1-3

KIT-SA153

FOR SAYCO

3-VALVE REBUILD KIT



HOT & COLD STEM
SA21951

BW Hot & Cold Ref.
407201

OEM Reference
P002 or K 1-3

DIVERTER STEM
SA21953

BW Diverter Ref.
430701

REBUILD KITS

KIT-SA162

FOR SAYCO

2-VALVE REBUILD KIT



HOT & COLD STEM
SA21957
BW Hot & Cold Ref.
409601
OEM Reference
K1-1116/SBS1035

KIT-SA163

FOR SAYCO

3-VALVE REBUILD KIT



HOT & COLD STEM
SA21957
BW Hot & Cold Ref.
409601
OEM Reference
K1-1116/SBS1035

DIVERTER STEM
431201

OEM Reference
K1D-1116

KIT-SA172

FOR SAYCO

2-VALVE REBUILD KIT



HOT & COLD STEM
409801

OEM Reference
KL0S-1

KIT-SA183

FOR SAYCO

3-VALVE REBUILD KIT



HOT & COLD STEM
SA21951/SA21952
BW Hot & Cold Ref.
407201 / 407202
OEM Reference
P002/P004

DIVERTER STEM
SA21953
BW Diverter Ref.
430701
OEM Reference
P006 or KDA49

KIT-SB102

FOR STERLING BRASS

2-VALVE REBUILD KIT



HOT & COLD STEM
419051

KIT-SB103

FOR STERLING BRASS

3-VALVE REBUILD KIT



HOT & COLD STEM
419051

DIVERTER STEM
435832

REBUILD KITS

KIT-SB112 FOR STERLING BRASS 2-VALVE REBUILD KIT



HOT & COLD STEM
416951

KIT-SC102 FOR SCOVILLE 2-VALVE REBUILD KIT



HOT & COLD STEM
422051

KIT-SE102 FOR SEARS 3-VALVE REBUILD KIT



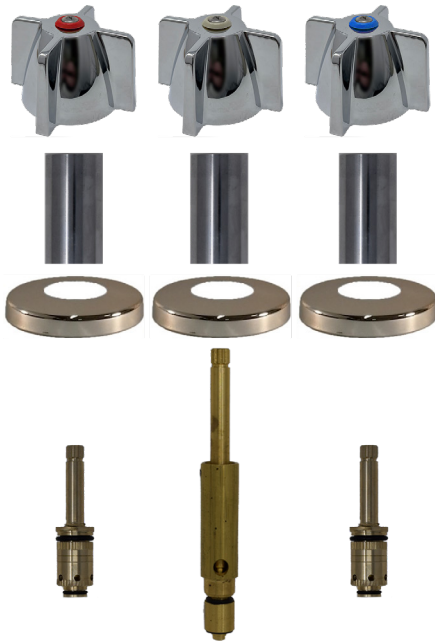
HOT & COLD STEM
LF467042

DIVERTER STEM
438411

OEM Reference
P31123-L

OEM Reference
XP7499

KIT-SE103 FOR SEARS 3-VALVE REBUILD KIT



HOT & COLD STEM
LF467042

DIVERTER STEM
438411

OEM Reference
P31123-L

OEM Reference
XP7499

KIT-SL102 FOR STERLING 2-VALVE REBUILD KIT



HOT & COLD STEM
SL21986

BW Hot & Cold Ref.
405181
OEM Reference
00A2361

KIT-SL103 FOR STERLING 3-VALVE REBUILD KIT



HOT & COLD STEM
SL21986

BW Hot & Cold Ref.
405181
OEM Reference
00A2361

DIVERTER STEM
SL21987

BW Diverter Ref.
431481
OEM Reference
00A2363

REBUILD KITS

KIT-SL112 FOR STERLING 2-VALVE REBUILD KIT



HOT & COLD STEM
SL21981
BW Hot & Cold Ref.
407301
OEM Reference
A8105

KIT-SL113 FOR STERLING 3-VALVE REBUILD KIT



HOT & COLD STEM
SL21981
BW Hot & Cold Ref.
407301
OEM Reference
A8105

DIVERTER STEM
SL21982
BW Diverter Ref.
430801
OEM Reference
A8106

KIT-SL122 FOR STERLING 2-VALVE REBUILD KIT



HOT & COLD STEM
SL21994

OEM Reference
404890

KIT-SL123 FOR STERLING 3-VALVE REBUILD KIT



HOT & COLD STEM
SL21994

OEM Reference
404890

DIVERTER STEM
431471

OEM Reference
00A2350

KIT-SL132 FOR STERLING 2-VALVE REBUILD KIT



HOT & COLD STEM
SL21986
BW Hot & Cold Ref.
405181
OEM Reference
00A2361

OEM Reference
00A2361

KIT-SL133 FOR STERLING 3-VALVE REBUILD KIT



HOT & COLD STEM
SL21986
BW Hot & Cold Ref.
405181
OEM Reference
00A2361

OEM Reference
00A2361

DIVERTER STEM
SL21987
BW Diverter Ref.
431481
OEM Reference
00A2363

OEM Reference
00A2363

REBUILD KITS

KIT-SL142
FOR STERLING
2-VALVE REBUILD KIT



HOT & COLD STEM
SL21983
BW Hot & Cold Ref.
418201
OEM Reference
A8005 or 99S8005

KIT-SL143
FOR STERLING
3-VALVE REBUILD KIT



HOT & COLD STEM
SL21983
BW Hot & Cold Ref.
418201
OEM Reference
A8005 or 99S8005

DIVERTER STEM
434001

OEM Reference
A8006 or 99S8006

KIT-SL153
FOR STERLING
3-VALVE REBUILD KIT



HOT & COLD STEM
402411

DIVERTER STEM
430181

KIT-SL162
FOR STERLING
2-VALVE REBUILD KIT



HOT & COLD STEM
406741

OEM Reference
00A3269

KIT-SL163
FOR STERLING
3-VALVE REBUILD KIT



HOT & COLD STEM
406741

OEM Reference
00A3269

DIVERTER STEM
431471

OEM Reference
00A2350

KIT-SL172
FOR STERLING
2-VALVE REBUILD KIT



HOT & COLD STEM
402821

OEM Reference
A1656

REBUILD KITS

KIT-SL173
FOR STERLING
3-VALVE REBUILD KIT



HOT & COLD STEM
402821

DIVERTER STEM
430231

OEM Reference
A1656

OEM Reference
A1657

KIT-SL182
FOR STERLING
2-VALVE REBUILD KIT



HOT & COLD STEM
401111/401112

OEM Reference
A8133/A8134

KIT-SL192
FOR STERLING
2-VALVE REBUILD KIT



HOT & COLD STEM
SL21981

BW Hot & Cold Ref.
407301

OEM Reference
A8105

KIT-SL202
FOR STERLING
2-VALVE REBUILD KIT



HOT & COLD STEM
LF453081 / LF453082

OEM Reference
A8153

KIT-SL212
FOR STERLING
2-VALVE REBUILD KIT



HOT & COLD STEM
418201

OEM Reference
A8005 or 99S8005

KIT-SL213
FOR STERLING
3-VALVE REBUILD KIT



HOT & COLD STEM
418201

OEM Reference
A8005 or 99S8005

DIVERTER STEM
434001

OEM Reference
A8006 or 99S8006

REBUILD KITS

KIT-SL232
FOR STERLING
2-VALVE REBUILD KIT



HOT & COLD STEM
405841

KIT-SL241
FOR STERLING
SINGLE VALVE REBUILD KIT



S/L CARTRIDGE ONLY
SL11981

**PRESSURE
BALANCE ONLY**
KO11182

OEM Reference
5300

OEM Reference
GP500520

KIT-SL241-TRIM
FOR STERLING
TRIM KIT



KIT-SL251
FOR STERLING
SINGLE VALVE REBUILD KIT



S/L CARTRIDGE
SL11980

OEM Reference
05300

KIT-SL262
FOR STERLING
2-VALVE REBUILD KIT



HOT & COLD STEM
SL21983

BW Hot & Cold Ref.
418201

OEM Reference
A8005 or 99S8005

KIT-SL293
FOR STERLING
3-VALVE REBUILD KIT



HOT & COLD STEM
SL21983

BW Hot & Cold Ref.
418201

OEM Reference
A8005 or 99S8005

DIVERTER STEM
434001

OEM Reference
A8006 or 99S8006

REBUILD KITS

KIT-SL303 FOR STERLING 3-VALVE REBUILD KIT



HOT & COLD STEM
403931

DIVERTER STEM
430261

OEM Reference
A2614

OEM Reference
00A2064

KIT-SP102 FOR SPEAKMAN 2-VALVE REBUILD KIT



HOT & COLD STEM
414301

OEM Reference
G05-0303

KIT-SP103 FOR SPEAKMAN 3-VALVE REBUILD KIT



HOT & COLD STEM
414301

DIVERTER STEM
433201

OEM Reference
G05-0303

OEM Reference
G05-0305

KIT-SP103-PORC FOR SPEAKMAN 3-VALVE REBUILD KIT



HOT & COLD STEM
414301

DIVERTER STEM
433201

OEM Reference
G05-0303

OEM Reference
G05-0305

KIT-SP112 FOR SPEAKMAN 2-VALVE REBUILD KIT



HOT & COLD STEM
403301

OEM Reference
G03-0169

KIT-SP113 FOR SPEAKMAN 3-VALVE REBUILD KIT



HOT & COLD STEM
403301

DIVERTER STEM
430121

OEM Reference
G03-0169

REBUILD KITS

KIT-SP122
FOR SPEAKMAN
2-VALVE REBUILD KIT



HOT & COLD STEM
408801

OEM Reference
G05-0162

KIT-SP123
FOR SPEAKMAN
3-VALVE REBUILD KIT



HOT & COLD STEM
408801

OEM Reference
G05-0162

DIVERTER STEM
433001

KIT-SP132
FOR SPEAKMAN
2-VALVE REBUILD KIT



HOT & COLD STEM
403241

OEM Reference
G05-0357

KIT-SP133
FOR SPEAKMAN
3-VALVE REBUILD KIT



HOT & COLD STEM
403241

OEM Reference
G05-0357

DIVERTER STEM
430121

OEM Reference
03-0172

KIT-SP142
FOR SPEAKMAN
2-VALVE REBUILD KIT



HOT & COLD STEM
412701

OEM Reference
G03-0215

KIT-SP143
FOR SPEAKMAN
3-VALVE REBUILD KIT



HOT & COLD STEM
412701

OEM Reference
G03-0215

DIVERTER STEM
431141

OEM Reference
03-0495

REBUILD KITS

KIT-SP152 FOR SPEAKMAN 2-VALVE REBUILD KIT



HOT & COLD STEM
403781

OEM Reference
G05-0407

KIT-SP153 FOR SPEAKMAN 3-VALVE REBUILD KIT



HOT & COLD STEM
403781

OEM Reference
G05-0407

DIVERTER STEM
430381

OEM Reference
G05-0408

KIT-SP163 FOR SPEAKMAN 3-VALVE REBUILD KIT



HOT & COLD STEM
412701

OEM Reference
G03-0215

DIVERTER STEM
432210

OEM Reference
03-0289

KIT-SP172 FOR SPEAKMAN 2-VALVE REBUILD KIT



HOT & COLD STEM
711701

KIT-SP173 FOR SPEAKMAN 2-VALVE REBUILD KIT



HOT & COLD STEM
711701

OEM Reference
G05-0407

DIVERTER STEM
431911

OEM Reference
G05-0408

KIT-SP183 FOR SPEAKMAN 3-VALVE REBUILD KIT



HOT & COLD STEM
412701

OEM Reference
G03-0215

DIVERTER STEM
431911

OEM Reference
03-0289

REBUILD KITS

KIT-SP193
FOR SPEAKMAN
3-VALVE REBUILD KIT



HOT & COLD STEM
408801

DIVERTER STEM
439211

OEM Reference
G05-0162

KIT-SP202
FOR SPEAKMAN
2-VALVE REBUILD KIT



HOT & COLD STEM
426021

KIT-SP233
FOR SPEAKMAN
3-VALVE REBUILD KIT



HOT & COLD STEM
SP22052
BW Hot & Cold Ref.
414301

DIVERTER STEM
435821

OEM Reference
03-0232

KIT-SV102
FOR SAVOY
2-VALVE REBUILD KIT



HOT & COLD STEM
SV21970
BW Hot & Cold Ref.
403321
OEM Reference
02-A70

KIT-SV103
FOR SAVOY
3-VALVE REBUILD KIT



HOT & COLD STEM
SV21970
BW Hot & Cold Ref.
403321
OEM Reference
02-A70

DIVERTER STEM
SV21972
BW Diverter Ref.
433391
OEM Reference
02-A-57

KIT-SV112
FOR SAVOY
2-VALVE REBUILD KIT



HOT & COLD STEM
405631

OEM Reference
02-A59

REBUILD KITS

KIT-SV122 FOR SAVOY 2-VALVE REBUILD KIT



HOT & COLD STEM
403311

OEM Reference
02-A56

KIT-SV123 FOR SAVOY 3-VALVE REBUILD KIT



HOT & COLD STEM
403311

OEM Reference
02-A56

DIVERTER STEM
SV21972
BW Diverter Ref.
433391
OEM Reference
02-A-57

KIT-SV132 FOR SAVOY 2-VALVE REBUILD KIT



HOT & COLD STEM
SV21962
BW Hot & Cold Ref.
406701
OEM Reference
02-A59

KIT-SV133 FOR SAVOY 3-VALVE REBUILD KIT



HOT & COLD STEM
SV21962
BW Hot & Cold Ref.
406701
OEM Reference
02-A59

DIVERTER STEM
438921
OEM Reference
02-A47

KIT-SV142 FOR SAVOY 2-VALVE REBUILD KIT



HOT & COLD STEM
SV21961
BW Hot & Cold Ref.
412801
OEM Reference
02-A1

KIT-SV143 FOR SAVOY 3-VALVE REBUILD KIT



HOT & COLD STEM
SV21961
BW Hot & Cold Ref.
412801
OEM Reference
02-A1

DIVERTER STEM
438901
OEM Reference
A-7K

REBUILD KITS

KIT-SV153

FOR SAVOY

3-VALVE REBUILD KIT



HOT & COLD STEM
SV21968
BW Hot & Cold Ref.
423411
OEM Reference
A-24

DIVERTER STEM
438901
OEM Reference
A-7K

KIT-SV154

FOR SAVOY

4-VALVE REBUILD KIT



HOT & COLD STEM
SV21968
BW Hot & Cold Ref.
423411
OEM Reference
A-24

KIT-SV163

FOR SAVOY

3-VALVE REBUILD KIT



HOT & COLD STEM
412821
OEM Reference
02-A2

DIVERTER STEM
438901
OEM Reference
A-7K

KIT-SV173

FOR SAVOY

3-VALVE REBUILD KIT



HOT & COLD STEM
423411
OEM Reference
A-24

DIVERTER STEM
438901
OEM Reference
A-7K

KIT-SV184

FOR SAVOY

4-VALVE REBUILD KIT



HOT & COLD STEM
413211

KIT-SV192

FOR SAVOY

2-VALVE REBUILD KIT



HOT & COLD STEM
SV21961
BW Hot & Cold Ref.
412801
OEM Reference
02-A1

REBUILD KITS

KIT-SW102 FOR STREAMWAY 2-VALVE REBUILD KIT



HOT & COLD STEM
LF451171

OEM Reference
40-5-0 or 960-0

KIT-SW112 FOR STREAMWAY 2-VALVE REBUILD KIT



HOT & COLD STEM
LF451161

OEM Reference
960-0

KIT-SW123 FOR STREAMWAY 3-VALVE REBUILD KIT



HOT & COLD STEM
LF451161

DIVERTER STEM
430080

OEM Reference
960-0

KIT-SW133 FOR STREAMWAY 3-VALVE REBUILD KIT



HOT & COLD STEM
LF451161

DIVERTER STEM
430050

OEM Reference
960-0

KIT-SY101 FOR SYMMONS SINGLE VALVE REBUILD KIT



S/L CARTRIDGE
205511

OEM Reference
TA-10

KIT-SY101-TRIM FOR SYMMONS TRIM KIT



REBUILD KITS

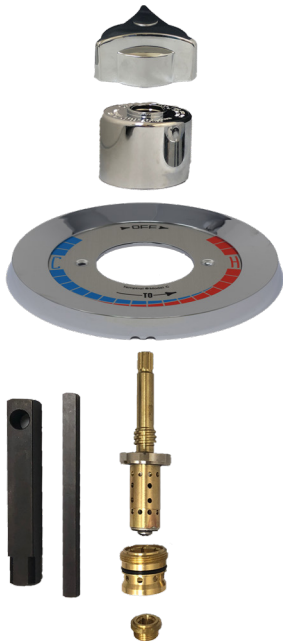
KIT-SY111
FOR SYMMONS
 SINGLE VALVE REBUILD KIT



S/L CARTRIDGE
 205511

OEM Reference
 TA-10

KIT-SY201
FOR SYMMONS
 SINGLE VALVE REBUILD KIT



S/L CARTRIDGE
 205511

OEM Reference
 TA-10

KIT-SY201-TRIM
FOR SYMMONS
 TRIM KIT



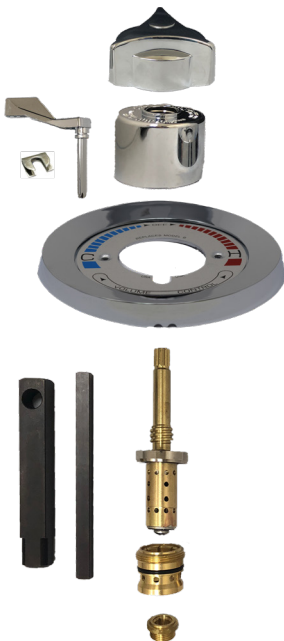
KIT-SY211
FOR SYMMONS
 SINGLE VALVE REBUILD KIT



S/L CARTRIDGE
 205511

OEM Reference
 TA-10

KIT-SY301
FOR SYMMONS
 SINGLE VALVE REBUILD KIT



S/L CARTRIDGE
 205511

OEM Reference
 TA-10

KIT-SY301-TRIM
FOR SYMMONS
 TRIM KIT



REBUILD KITS

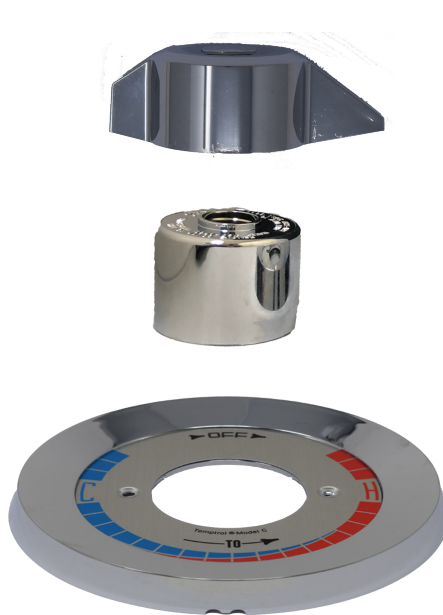
KIT-SY401
FOR SYMMONS
SINGLE VALVE REBUILD KIT



S/L CARTRIDGE
205511

OEM Reference
TA-10

KIT-SY401-TRIM
FOR SYMMONS
TRIM KIT



KIT-TS102
FOR T & S
2-VALVE REBUILD KIT



HOT & COLD STEM
LF464061 / LF464062

OEM Reference
005960-40 / 005959-40

KIT-TS202
FOR T & S
2-VALVE REBUILD KIT



HOT & COLD STEM
LF464181 / LF464182

OEM Reference
012443-40 / 012442-40

KIT-TS302
FOR T & S
2-VALVE REBUILD KIT



HOT & COLD STEM
LF466401 / LF466402

OEM Reference
011276-45 / 011277-45

KIT-UB102
FOR UNIVERSAL BRASS
2-VALVE REBUILD KIT



HOT & COLD STEM
424201

REBUILD KITS

KIT-UB103 FOR UNIVERSAL BRASS 3-VALVE REBUILD KIT



HOT & COLD STEM
424201

KIT-UN103 FOR UNION BRASS 3-VALVE REBUILD KIT



HOT & COLD STEM
UN22110
BW Hot & Cold Ref.
402001
OEM Reference
80039 (1840A-H)

DIVERTER STEM
UN22117
BW Diverter Ref.
430920

KIT-UN112 FOR UNION BRASS 2-VALVE REBUILD KIT



HOT & COLD STEM
418701

OEM Reference
P-19

KIT-UN113 FOR UNION BRASS 3-VALVE REBUILD KIT



HOT & COLD STEM
418701

DIVERTER STEM
437900

OEM Reference
P-19

KIT-UN122 FOR UNION BRASS 2-VALVE REBUILD KIT



HOT & COLD STEM
UN22110
BW Hot & Cold Ref.
402001
OEM Reference
80039 (1840A-H)

DIVERTER STEM
430151

KIT-UN123 FOR UNION BRASS 3-VALVE REBUILD KIT



HOT & COLD STEM
UN22110
BW Hot & Cold Ref.
402001
OEM Reference
80039 (1840A-H)

DIVERTER STEM
430151

REBUILD KITS

KIT-UN132
FOR UNION BRASS
2-VALVE REBUILD KIT



HOT & COLD STEM
409811

KIT-UN133
FOR UNION BRASS
3-VALVE REBUILD KIT



HOT & COLD STEM
409811

DIVERTER STEM
435200

KIT-UN142
FOR UNION BRASS
2-VALVE REBUILD KIT



HOT & COLD STEM
UN22110
BW Hot & Cold Ref.
402001
OEM Reference
80039 (1840A-H)

KIT-UN143
FOR UNION BRASS
3-VALVE REBUILD KIT



HOT & COLD STEM
UN22110
BW Hot & Cold Ref.
402001
OEM Reference
80039 (1840A-H)

DIVERTER STEM
431060

KIT-UN152
FOR UNION BRASS
2-VALVE REBUILD KIT



HOT & COLD STEM
UN22109
BW Hot & Cold Ref.
402511
OEM Reference
1844 H

KIT-UN153
FOR UNION BRASS
3-VALVE REBUILD KIT



HOT & COLD STEM
UN22109
BW Hot & Cold Ref.
402511
OEM Reference
1844 H

DIVERTER STEM
UN22117
BW Diverter Ref.
430920

REBUILD KITS

KIT-UN163 FOR UNION BRASS 3-VALVE REBUILD KIT



HOT & COLD STEM
UN22110
BW Hot & Cold Ref.
402001
OEM Reference
80039 (1840A-H)

DIVERTER STEM
UN22119
BW Diverter Ref.
431010

KIT-UN173 FOR UNION BRASS 3-VALVE REBUILD KIT



HOT & COLD STEM
UN22109
BW Hot & Cold Ref.
402511
OEM Reference
1844 H

DIVERTER STEM
430151

KIT-UN183 FOR UNION BRASS 3-VALVE REBUILD KIT



HOT & COLD STEM
UN22110
BW Hot & Cold Ref.
402001
OEM Reference
80039 (1840A-H)

DIVERTER STEM
431180

OEM Reference
83434

KIT-UN193 FOR UNION BRASS 3-VALVE REBUILD KIT



HOT & COLD STEM
UN22109
BW Hot & Cold Ref.
402511
OEM Reference
1844 H

DIVERTER STEM
431180

OEM Reference
83434

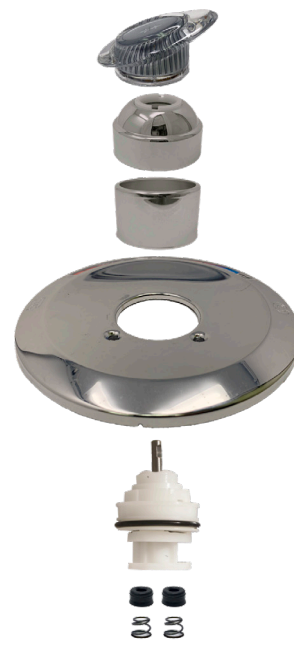
KIT-VA101 FOR VALLEY SINGLE VALVE REBUILD KIT



S/L CARTRIDGE
VA12248

OEM Reference
V6680

KIT-VA101-BN FOR VALLEY SINGLE VALVE REBUILD KIT BRUSHED NICKEL



S/L CARTRIDGE
VA12248

OEM Reference
V6680

REBUILD KITS

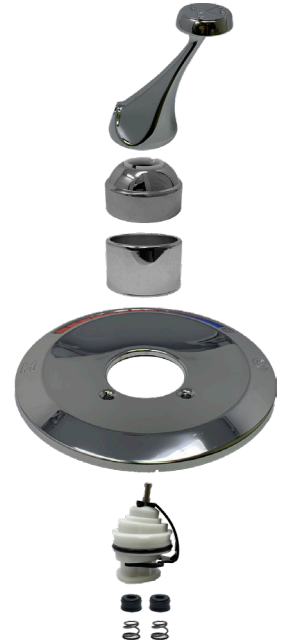
KIT-VA101-TRIM
FOR VALLEY
TRIM KIT



KIT-VA101-TRIM-BN
FOR VALLEY
TRIM KIT BRUSHED NICKEL



KIT-VA111
FOR VALLEY
SINGLE VALVE REBUILD KIT



S/L CARTRIDGE
VA12248

OEM Reference
V6680

KIT-VA122
FOR VALLEY
2-VALVE REBUILD KIT



HOT & COLD STEM
VA12249

OEM Reference
V6804

KIT-VA123
FOR VALLEY
3-VALVE REBUILD KIT



HOT & COLD STEM
VA12249

OEM Reference
V6804

DIVERTER STEM
VA12242

OEM Reference
V6856BG

KIT-VA132
FOR VALLEY
2-VALVE REBUILD KIT



HOT & COLD STEM
VA12241

OEM Reference
V6800

REBUILD KITS

KIT-VA133

FOR VALLEY

3-VALVE REBUILD KIT



HOT & COLD STEM
VA12241

DIVERTER STEM
VA12242

OEM Reference
V6860

OEM Reference
V6856BG

KIT-VA141

FOR VALLEY

SINGLE VALVE REBUILD KIT



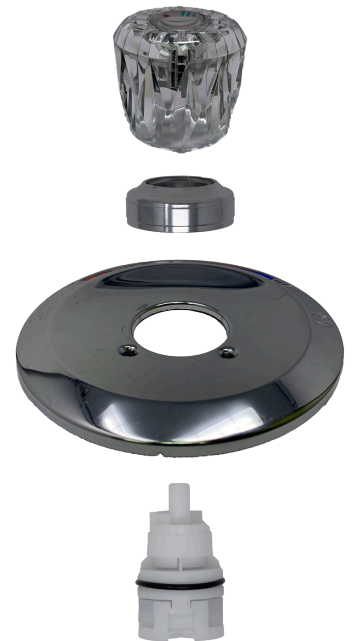
S/L CARTRIDGE
VA12248

OEM Reference
V6680

KIT-VA161

FOR VALLEY

SINGLE VALVE REBUILD KIT



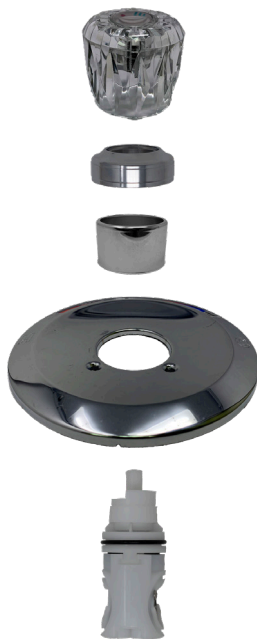
S/L CARTRIDGE
VA12255

OEM Reference
V4299BG

KIT-VA181

FOR VALLEY

SINGLE VALVE REBUILD KIT



S/L CARTRIDGE
VA12253

OEM Reference
V4268

KIT-VA191

FOR VALLEY

SINGLE VALVE REBUILD KIT



S/L CARTRIDGE
VA12247

OEM Reference
V5002

KIT-WV102

FOR WOLVERINE

2-VALVE REBUILD KIT



HOT & COLD STEM
426251

REBUILD KITS

KIT-WV103
FOR WOLVERINE
3-VALVE REBUILD KIT



HOT & COLD STEM
426251

DIVERTER STEM
439261

KIT-WV113
FOR WOLVERINE
3-VALVE REBUILD KIT



HOT & COLD STEM
426251

DIVERTER STEM
439261

KIT-WV122
FOR WOLVERINE
2-VALVE REBUILD KIT



HOT & COLD STEM
418311