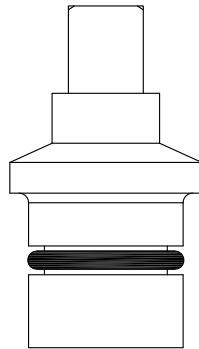
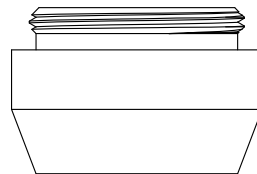


FOR **AFM**
SERIES #69
NEW STYLE WALL HYDRANT



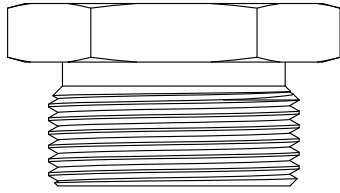
TAPPED $\frac{3}{8}$ "-16
VALVE SCREW
283020



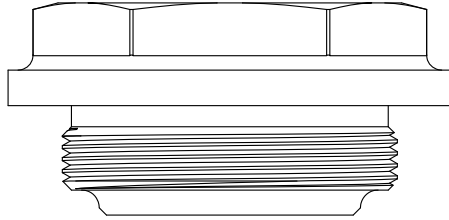
O-RING GLAND
983020

FOR GREENBERG

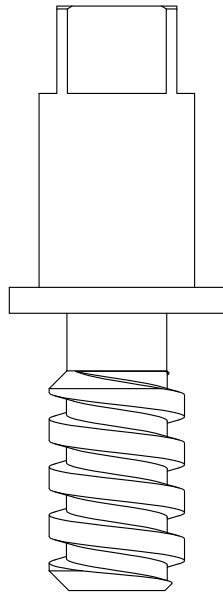
PACKING NUT
383150



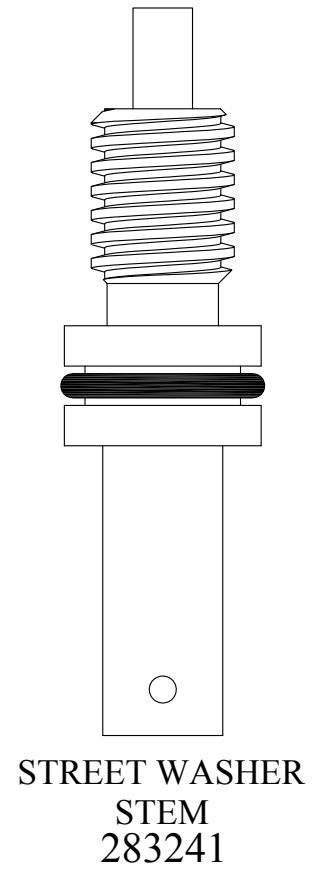
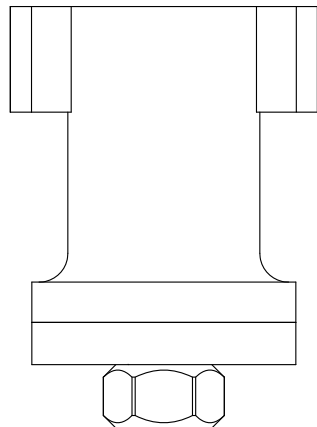
HEAD NUT
109540



STREET WASHER
STEM
283152



PLUNGER
983152



STREET WASHER
STEM
283241

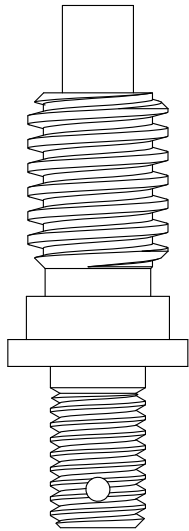
FOR JOSAM

SERIES #Y-200

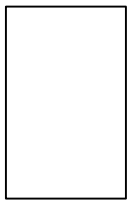
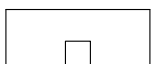
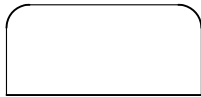
FREEZELESS WALL HYDRANT

PROVIDE YOUR NEEDED LENGTH FOR A QUOTE ON COMPLETE PLUNGER & OPERATOR ASSEMBLY, OR ORDER PART NUMBERS 283431 & 983430 (OR 983410 - OLD STYLE) AND USE THREADED ROD TO MAKE YOUR OWN CUSTOM LENGTH

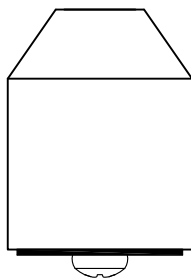
OLD STYLE
ASSEMBLY NOT
AVAILABLE



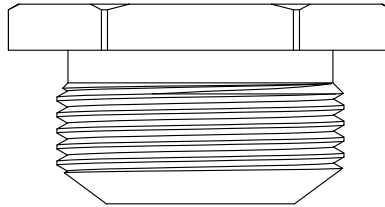
FOR OLD STYLE
ASSEMBLY ORDER
NEW STYLE PARTS
AND SUBSTITUTE
983410 IN PLACE
OF 983430



TAPPED $\frac{3}{8}$ "-16



OLD
STYLE
PLUNGER
983410

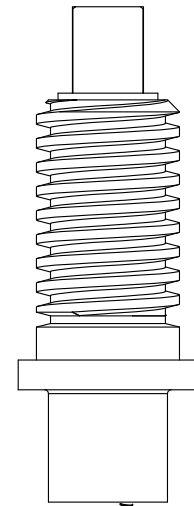


HEAD NUT
783411



646840

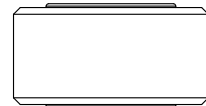
NEW STYLE



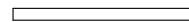
OPERATING
SCREW
283431

TAPPED $\frac{3}{8}$ "-16

DRAIN PORT
SLEEVE
683430

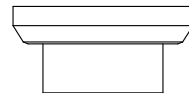


RETAINING
WASHER
883430

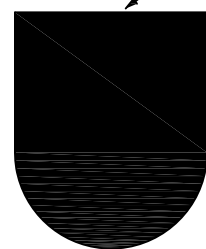


RETAINING
NUT
383430

TAPPED THRU
 $\frac{3}{8}$ "-16



NEW
STYLE
PLUNGER
983430



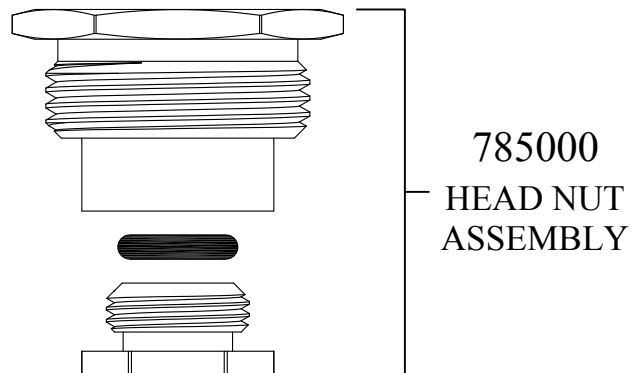
TAPPED $\frac{3}{8}$ "-16

FOR JOSAM

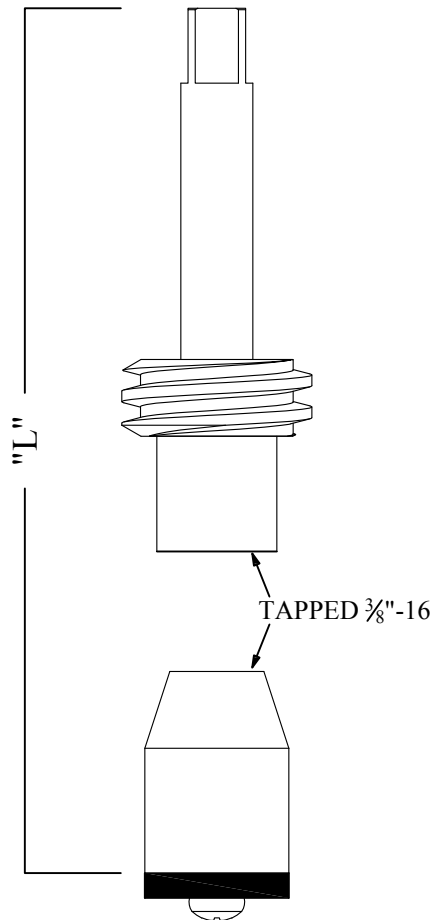
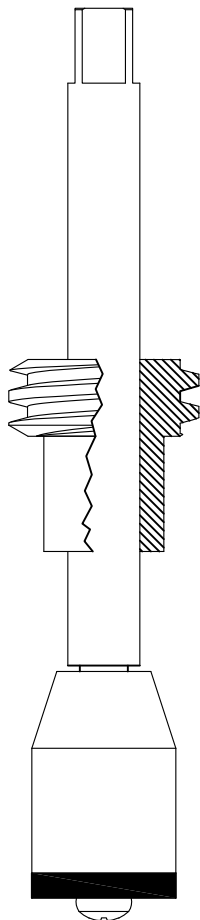
SERIES #Y-210

FREEZELESS WALL HYDRANT

PROVIDE YOUR NEEDED LENGTH FOR A QUOTE ON COMPLETE PLUNGER & OPERATOR ASSEMBLY, OR ORDER PART NUMBERS 285001 & 985000 AND USE THREADED ROD TO MAKE YOUR OWN CUSTOM LENGTH



OLD STYLE

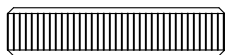


FOR JOSAM

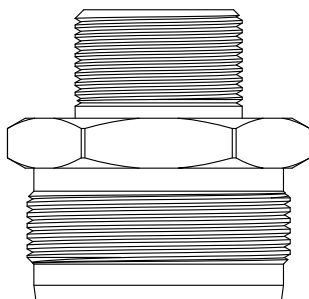
HYDRASAN I FREEZELESS WALL HYDRANT

ORDER ORIGINAL STYLE ROD ASSEMBLY BY PART # IN THE TABLE
BELOW, OR ORDER PART NUMBERS 147950 & 148020 AND USE
THREADED ROD TO MAKE YOUR OWN CUSTOM LENGTH

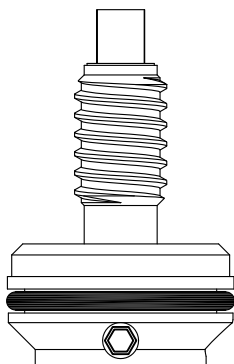
CAP RETAINER
983110



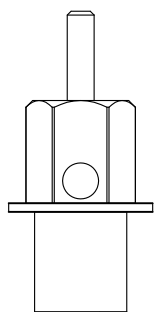
DRAW NUT
783112



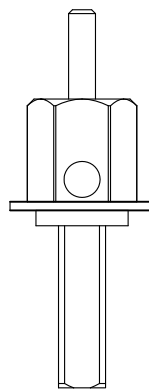
ACTUATOR
WITH
O-RING &
SCREW
283112



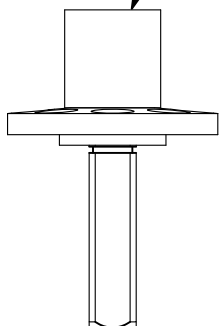
UPPER ROD
END
147950



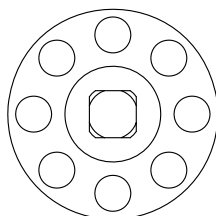
WARM CLIMATE
ROD
683110



LOWER ROD
END
148020

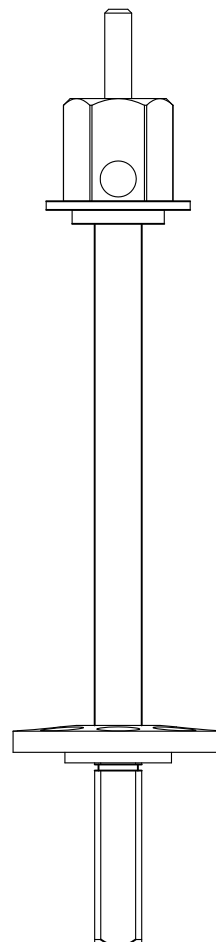


TAPPED $\frac{3}{8}$ "-16



BOTTOM VIEW

ROD ASSY PART#	LENGTH "L"	WALL THICKNESS	
		71000	71050
683110-4	4 7/8"	4	2
683110-6	6 7/8"	6	4
683110-8	8 7/8"	8	6
683110-10	10 7/8"	10	8
683110-12	12 7/8"	12	10
683110-14	14 7/8"	14	12
683110-16	16 7/8"	16	14
683110-18	18 7/8"	18	16
683110-20	20 7/8"	20	18
683110-22	22 7/8"	22	20
683110-24	24 7/8"	24	22
683110-26	26 7/8"	-	24



Send Your Orders To:

BARRY E.  SR. CO.

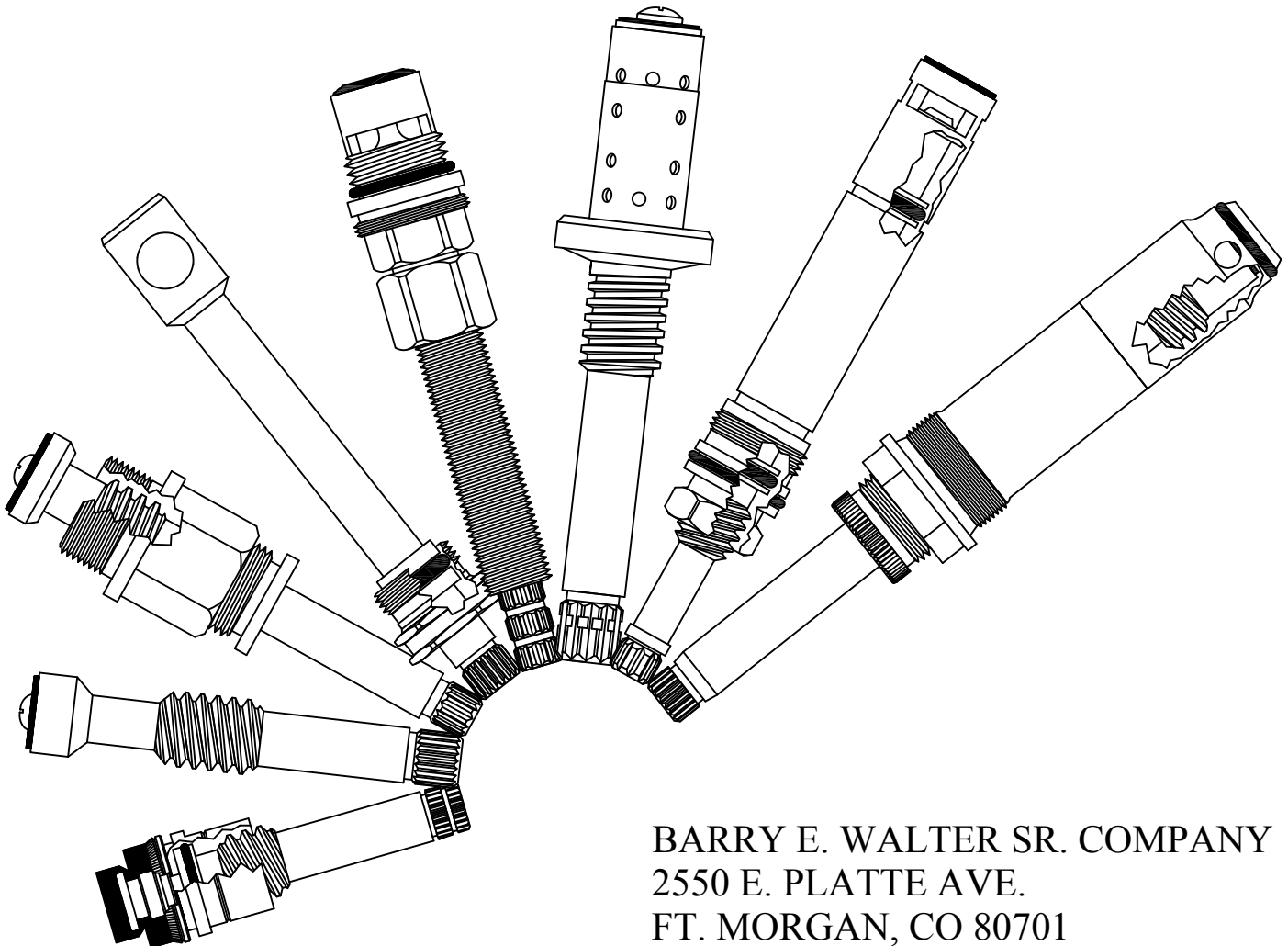
E-mail: orderdesk@barrywalter.com

Fax: 1.800.886.9831

Phone: 1.800.767.5552



Quality Replacement Parts

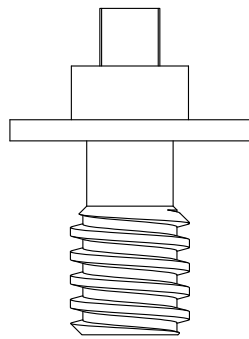


BARRY E. WALTER SR. COMPANY
2550 E. PLATTE AVE.
FT. MORGAN, CO 80701

FOR J.R. SMITH

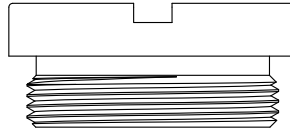
MODELS # 5509 & 5609

PROVIDE YOUR NEEDED LENGTH FOR A QUOTE ON COMPLETE PLUNGER & OPERATING
COUPLING ASSEMBLY, OR ORDER PART NUMBERS 983060 & 683082 OR 683062
AND USE THREADED ROD TO MAKE YOUR OWN CUSTOM LENGTH



OPERATING SCREW
COARSE THREAD
283082

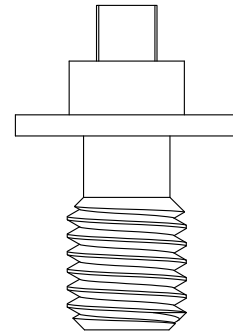
FACE NUT



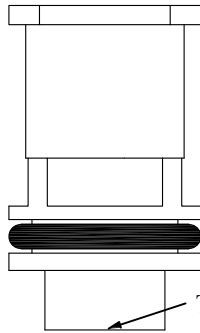
NEW STYLE
783070



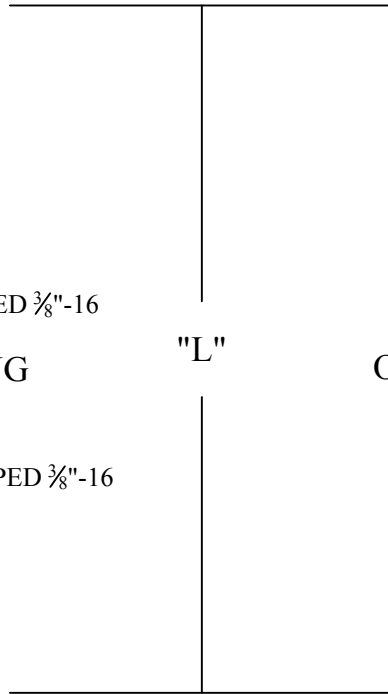
OLD STYLE
783050



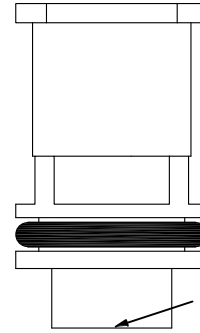
OPERATING SCREW
FINE THREAD
283062



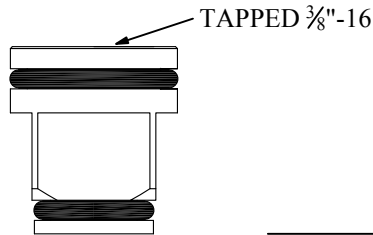
OPERATING COUPLING
COARSE THREAD
683082



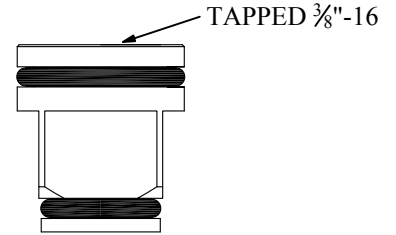
"L"



OPERATING COUPLING
FINE THREAD
683062



PLUNGER
983060



PLUNGER
983060

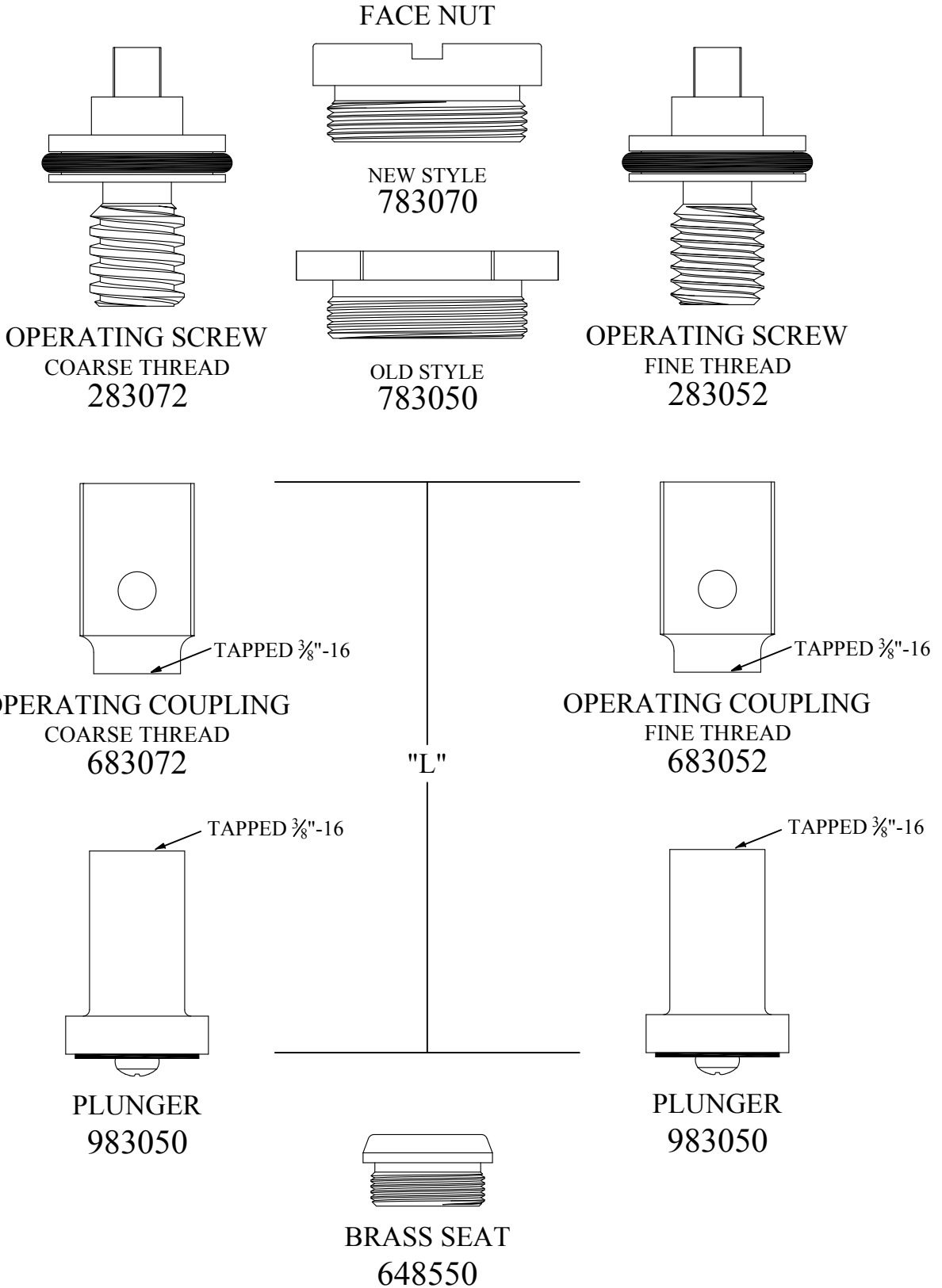


BRASS SEAT
648550

FOR J.R. SMITH

MODEL # 5510

PROVIDE YOUR NEEDED LENGTH FOR A QUOTE ON COMPLETE PLUNGER & OPERATING
COUPLING ASSEMBLY, OR ORDER PART NUMBERS 983060 & 683082 OR 683062
AND USE THREADED ROD TO MAKE YOUR OWN CUSTOM LENGTH

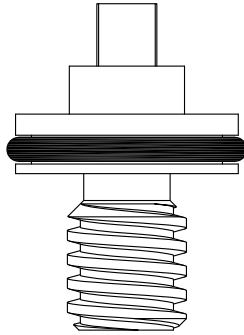


FOR J.R. SMITH

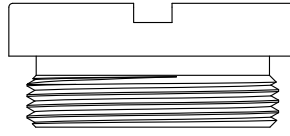
MODEL # 5609

PROVIDE YOUR NEEDED LENGTH FOR A QUOTE ON COMPLETE PLUNGER & OPERATING COUPLING ASSEMBLY, OR ORDER PART NUMBERS 983060 & 683072-1/2 OR 683052-1/2 AND USE 1/2" ROD TO MAKE YOUR OWN CUSTOM LENGTH (SOLDERING REQUIRED)

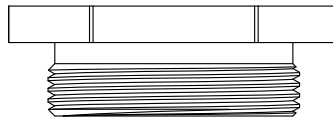
FACE NUT



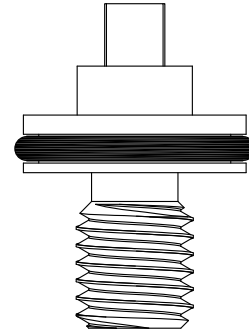
OPERATING SCREW
COARSE THREAD
283072



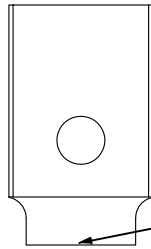
NEW STYLE
783070



OLD STYLE
783050

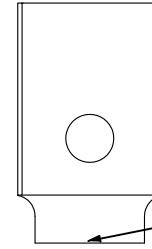


OPERATING SCREW
FINE THREAD
283052



OPERATING COUPLING
COARSE THREAD
683072-1/2

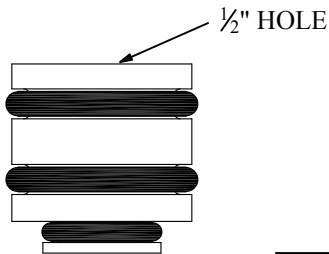
1/2" HOLE



OPERATING COUPLING
FINE THREAD
683052-1/2

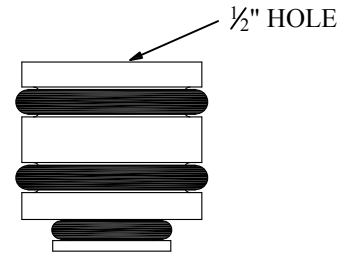
1/2" HOLE

"L"



PLUNGER
983070

1/2" HOLE



PLUNGER
983070

1/2" HOLE



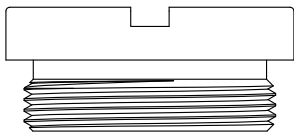
BRASS SEAT
648550

FOR J.R. SMITH

MODEL # 5510, 5511, 5560, 5561, 5610 & 5611

AFTER JANUARY 1979

BEFORE JANUARY 1979

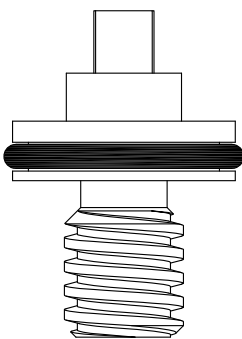


NEW STYLE
783070

FACE NUT

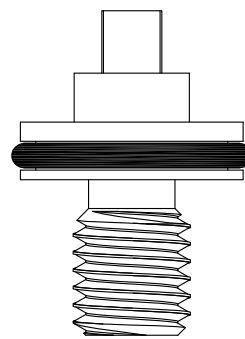


OLD STYLE
783050

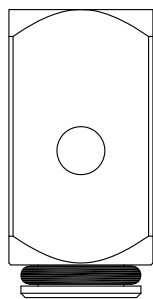


COARSE THREAD
283072

OPERATING SCREW

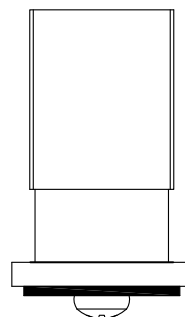


FINE THREAD
283052



COARSE THREAD
983042

OPERATING COUPLING /
PLUNGER



J.R. SMITH
PLUNGER OLD STYLE
983032

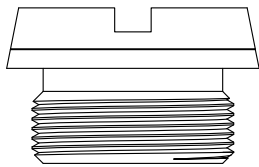


BRASS SEAT
648550

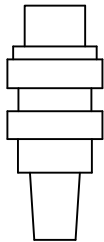
FOR J.R. SMITH

MODEL # 5609QT & 5509QT

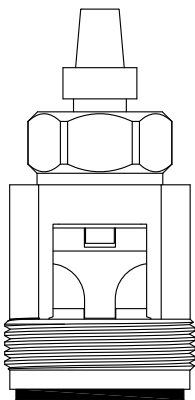
ORDER ROD ASSEMBLY PART # LENGTH FROM TABLE BELOW, OR ORDER PART NUMBERS 129840 & 129770
AND USE A 5/16-18 THREADED ROD TO MAKE YOUR OWN CUSTOM LENGTH



FACE NUT
783610

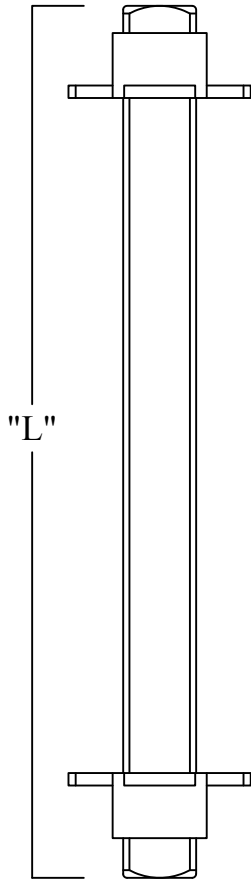


OPERATOR STEM
283610-1

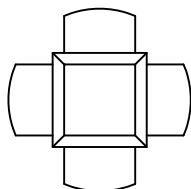


VALVE BODY
ASSEMBLY
483611

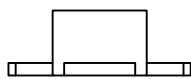
OPERATOR STEM
& VALVE BODY
ASSEMBLY
483611-1



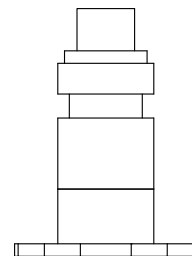
ACTUATOR ROD
683610-
CHOOSE A LENGTH
FROM ABOVE TABLE



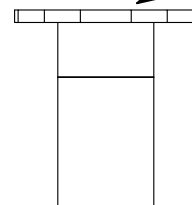
PLASTIC GUIDE
BUSHING
149440



OPERATOR STEM
WITH GUIDE BUSHING
129840



TAPPED 5/16"-18

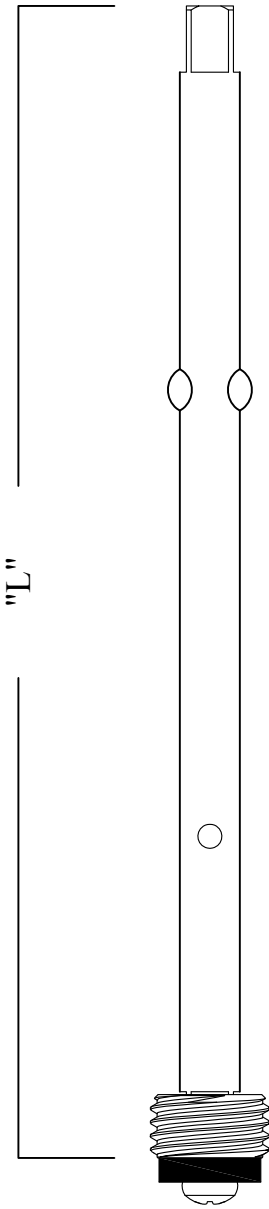


OPERATOR ADAPTER
WITH GUIDE BUSHING
129770

ACTUATOR ROD MADE WITH
BRASS SQUARE TUBE & INCLUDES
PLASTIC GUIDE BUSHINGS

PART #	"L" (LENGTH)	WALL THICKNESS
683610-1	1 3/8"	--
683610-4	4 3/8"	4"
683610-6	6 3/8"	6"
683610-8	8 3/8"	8"
683610-10	10 3/8"	10"
683610-12	12 3/8"	12"
683610-14	14 3/8"	14"
683610-16	16 3/8"	16"
683610-18	18 3/8"	18"

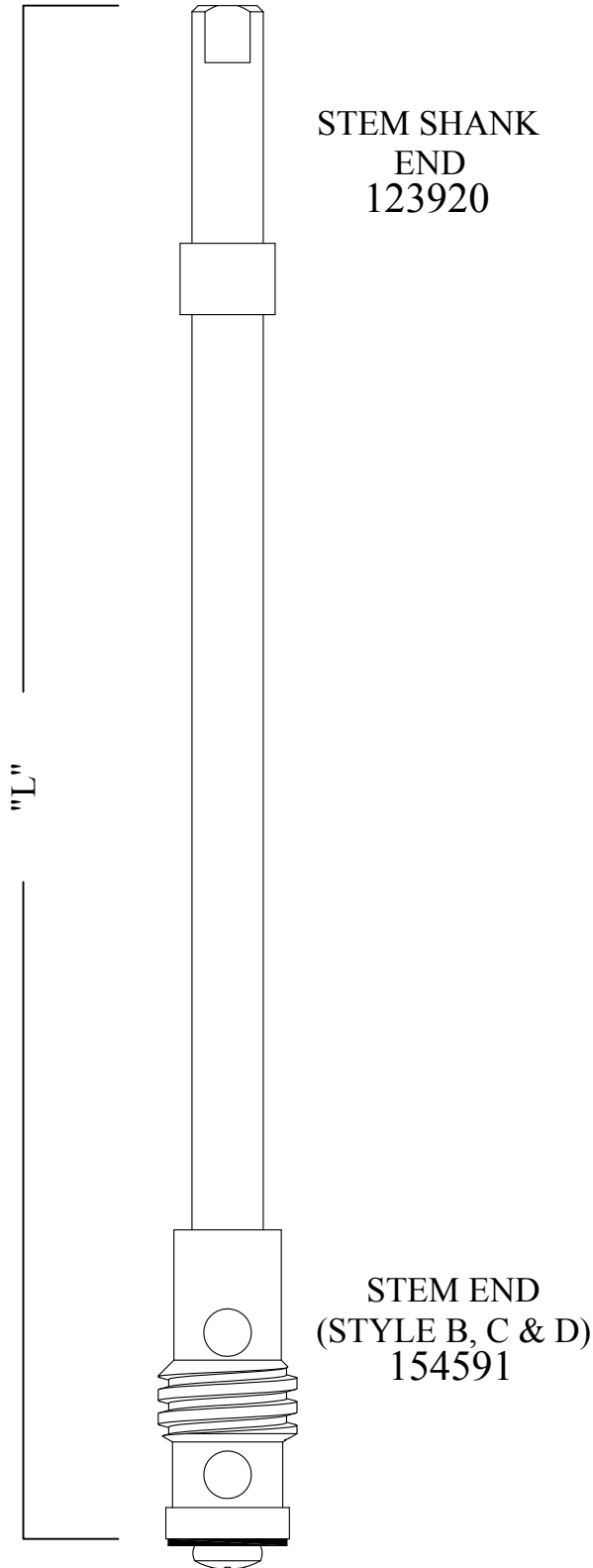
FOR **NIBCO**
 SERIES #52
 FROST-PROOF SILLCOCKS



PART #	"L"	MODEL
285501-4	6"	4"
285501-6	8"	6"
285501-8	10"	8"
285501-10	12"	10"
285501-12	14"	12"
285501-14	16"	14"

FOR PRIER

ORDER THE COMPLETE STEM, OR ORDER PART NUMBERS 123920 & 154591
AND USE 3/8" COPPER TUBE TO MAKE YOUR OWN CUSTOM LENGTH (SOLDERING REQUIRED)



C-134 STEM STYLE "B" (1954-1961)

PART #	"L"	MODEL
283521-4	8 1/16"	4"
283521-6	10 1/16"	6"
283521-8	12 1/16"	8"
283521-10	14 1/16"	10"
283521-12	16 1/16"	12"
283521-14	18 1/16"	14"

C-134 STEM STYLE "C" (1961-1963)

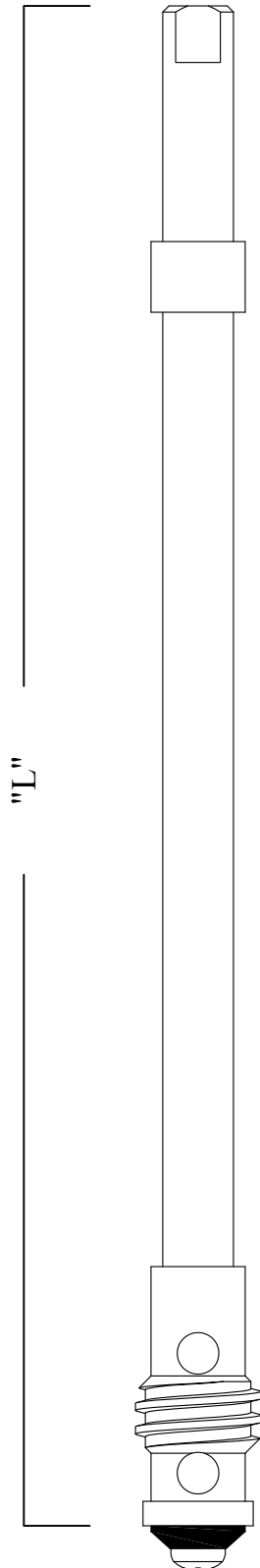
PART #	"L"	MODEL
283531-4	7 1/16"	4"
283531-6	9 1/16"	6"
283531-8	11 1/16"	8"
283531-10	13 1/16"	10"
283531-12	15 1/16"	12"
283531-14	17 1/16"	14"

C-134 STEM STYLE "D" (1963-1972)

PART #	"L"	MODEL
283541-4	7 5/8"	4"
283541-6	9 5/8"	6"
283541-8	11 5/8"	8"
283541-10	13 5/8"	10"
283541-12	15 5/8"	12"
283541-14	17 5/8"	14"

FOR PRIER C-134 STEM STYLE "E" (1973-2013)

ORDER COMPLETE STEM, OR ORDER PART NUMBERS 123920 & 131221
AND USE 3/8" COPPER TUBE TO MAKE YOUR OWN CUSTOM LENGTH (SOLDERING REQUIRED)



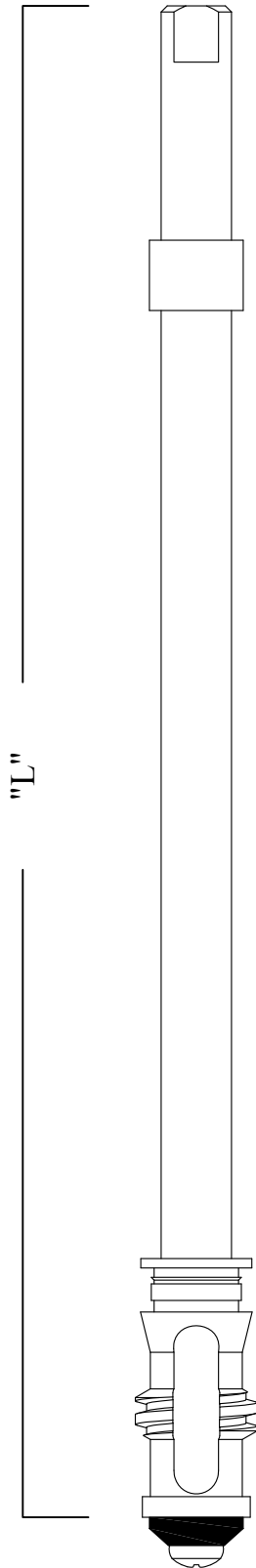
STEM SHANK
END
123920

PART #	"L"	MODEL
283551-4	7 5/8"	4"
283551-6	9 5/8"	6"
283551-8	11 5/8"	8"
283551-10	13 5/8"	10"
283551-12	15 5/8"	12"
283551-14	17 5/8"	14"
283551-16	19 5/8"	16"

STEM END
(STYLE E)
131221

FOR PRIER C-134 STEM STYLE "G" (2013-PRESENT)

ORDER COMPLETE STEM, OR ORDER PART NUMBERS 123920 & 147651
AND USE 3/8" COPPER TUBE TO MAKE YOUR OWN CUSTOM LENGTH (SOLDERING REQUIRED)



STEM SHANK
END
123920

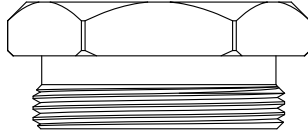
PART #	"L"	MODEL
283561	4 3/8"	CLOSE COUPLED
283561-4	6 7/8"	4"
283561-6	8 7/8"	6"
283561-8	10 7/8"	8"
283561-10	12 7/8"	10"
283561-12	14 7/8"	12"
283561-14	16 7/8"	14"
283561-16	18 7/8"	16"
283561-18	20 7/8"	18"
283561-20	22 7/8"	20"
283561-22	24 7/8"	22"
283561-24	26 7/8"	24"

STEM END
(STYLE G)
147651

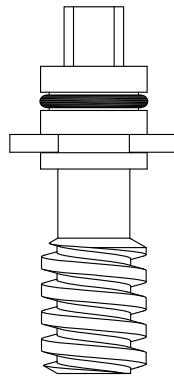
FOR **PRIER**
SERIES C-634
FROST-FREE WALL HYDRANT

PROVIDE YOUR NEEDED LENGTH FOR A QUOTE ON COMPLETE PLUNGER &
DRIVE SLEEVE ASSEMBLY, OR ORDER PART NUMBERS 683312 & 983310
AND USE THREADED ROD TO MAKE YOUR OWN CUSTOM LENGTH

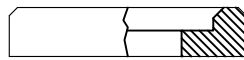
ALSO AVAILABE
CHROME PLATED
783300-CP



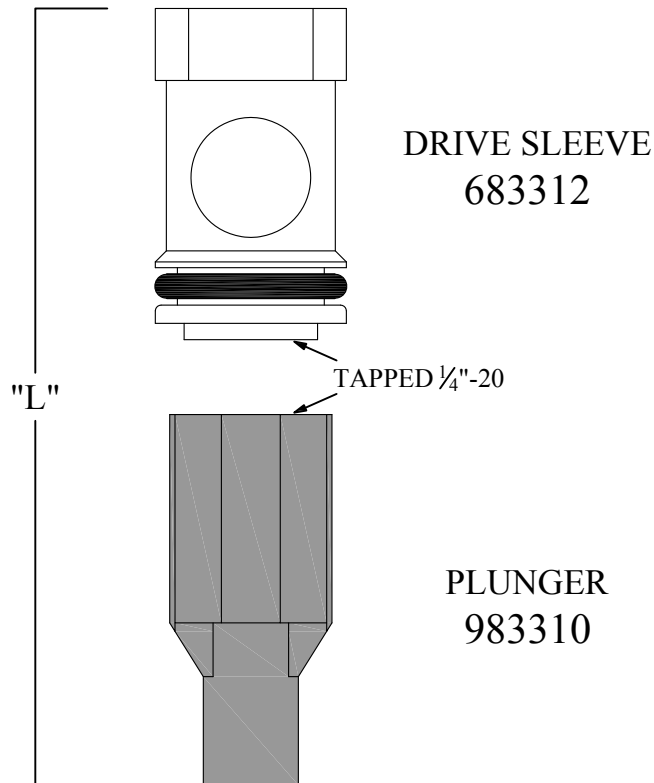
FACE NUT
783300



DRIVE SCREW
ASSEMBLY
283302



RETAINER
883310



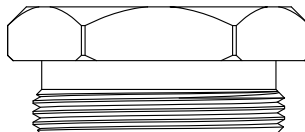
DRIVE SLEEVE
683312

PLUNGER
983310

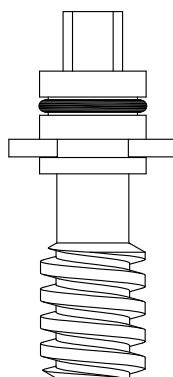
FOR **WADE**
SERIES W-8600
FROST-FREE WALL HYDRANT

PROVIDE YOUR NEEDED LENGTH FOR A QUOTE ON COMPLETE PLUNGER &
DRIVE SLEEVE ASSEMBLY, OR ORDER PART NUMBERS 683312 & 983310
AND USE THREADED ROD TO MAKE YOUR OWN CUSTOM LENGTH

ALSO AVAILABE
CHROME PLATED
783300-CP



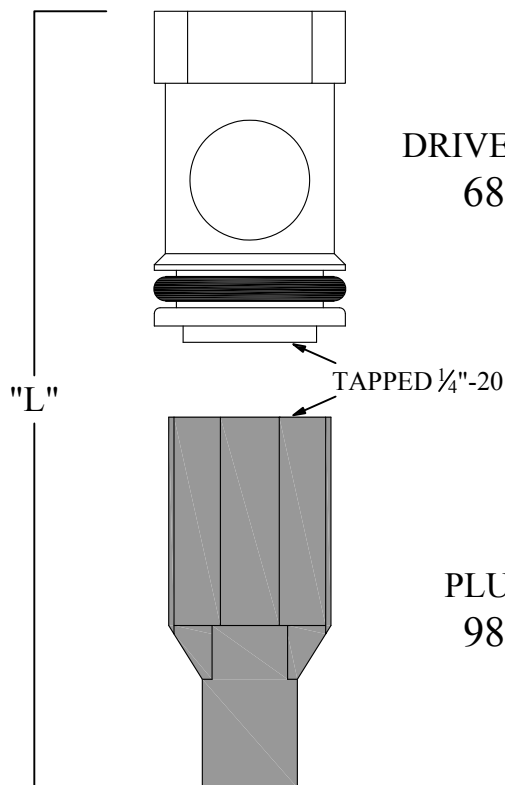
FACE NUT
783300



DRIVE SCREW
ASSEMBLY
283302



RETAINER
883310

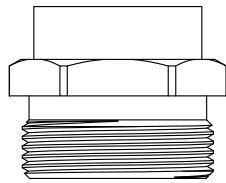


DRIVE SLEEVE
683312

PLUNGER
983310

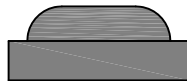
FOR **WADE**

SERIES 8609 & 8610 (1" & 1 1/4")
GROUND BOX & POST HYDRANTS

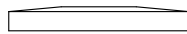


ALSO AVAILABE
CHROME PLATED
383200-CP

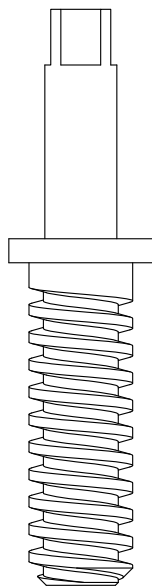
FACE NUT
383200



PACKING
896320

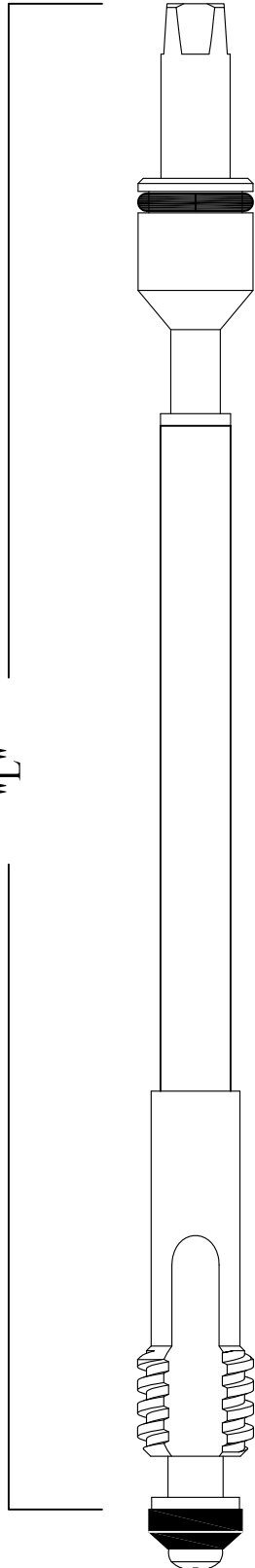


PACKING WASHER
883200



WORM STEM
283202

FOR **WATTS**
 SERIES # FHV-1, FHV-2 OLD STYLE
 ANTI-SIPHON FRONT-PROOF
 AUTOMATIC DRAINING WALL HYDRANTS



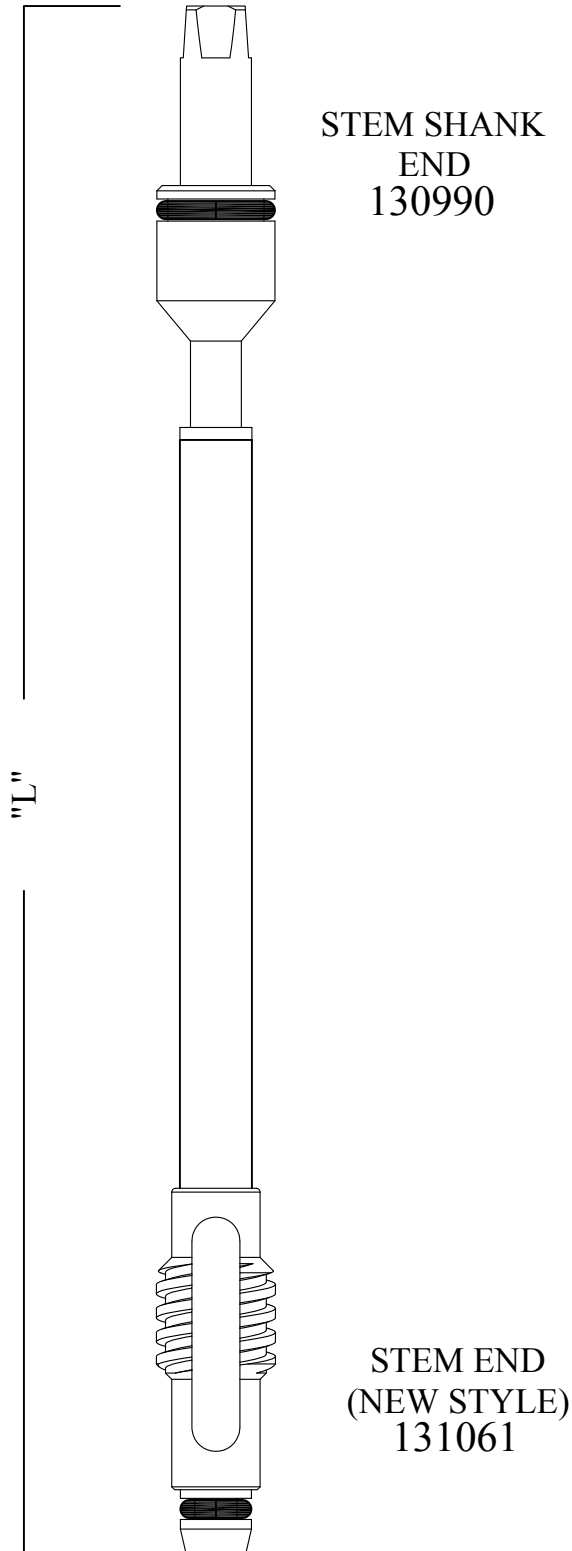
STEM SHANK
 END
 130990

ORDER THE COMPLETE STEM, OR ORDER 130990 &
 130921 AND USE 3/8" COPPER TUBE TO MAKE YOUR
 OWN CUSTOM LENGTH.
 (SOLDERING REQUIRED)

PART #	"L"	MODEL
283701-4	7 1/16"	4"
283701-6	9 1/16"	6"
283701-8	11 1/16"	8"
283701-10	13 1/16"	10"
283701-12	15 1/16"	12"
283701-14	17 1/16"	14"

STEM END
 (OLD STYLE)
 130921

FOR **WATTS**
 SERIES # FHV-1, FHV-2 NEW STYLE
 ANTI-SIPHON FRONT-PROOF
 AUTOMATIC DRAINING WALL HYDRANTS



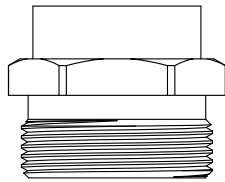
ORDER THE COMPLETE STEM, OR ORDER
 130990 & 131061 AND USE $\frac{3}{8}$ " COPPER TUBE TO
 MAKE YOUR OWN CUSTOM LENGTH.
 (SOLDERING REQUIRED)

PART #	"L"	MODEL
283711-4	7 1/2"	4"
283711-6	9 1/2"	6"
283711-8	11 1/2"	8"
283711-10	13 1/2"	10"
283711-12	15 1/2"	12"
283711-14	17 1/2"	14"

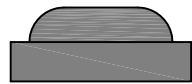
FOR **WATTS / ANCON**
SERIES HY-400 & HY-700 WALL HYDRANTS
PRIOR TO JULY 31, 1988

PROVIDE YOUR NEEDED LENGTH FOR A QUOTE ON COMPLETE PLUNGER & WORM SLEEVE
 ASSEMBLY, OR ORDER PART NUMBERS 683212 & 983200 AND USE
 THREADED ROD TO MAKE YOUR OWN CUSTOM LENGTH

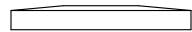
ALSO AVAILABE
 CHROME PLATED
 383200-CP



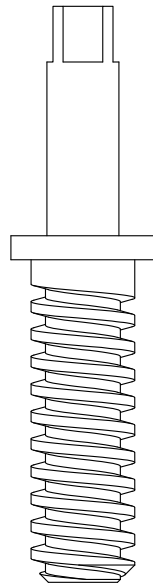
FACE NUT
 383200



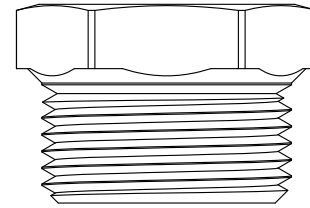
PACKING
 896320



PACKING WASHER
 883200

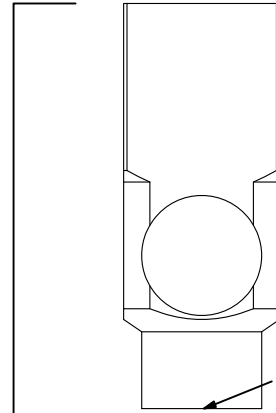


WORM STEM
 283202



HEAD NUT
 783200

ALSO
 AVAILABE
 CHROME
 PLATED
 783200-CP

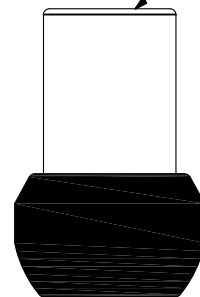


WORM SLEEVE
 683212

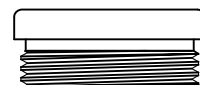
TAPPED $\frac{3}{8}$ "-16

"L"

TAPPED $\frac{3}{8}$ "-16



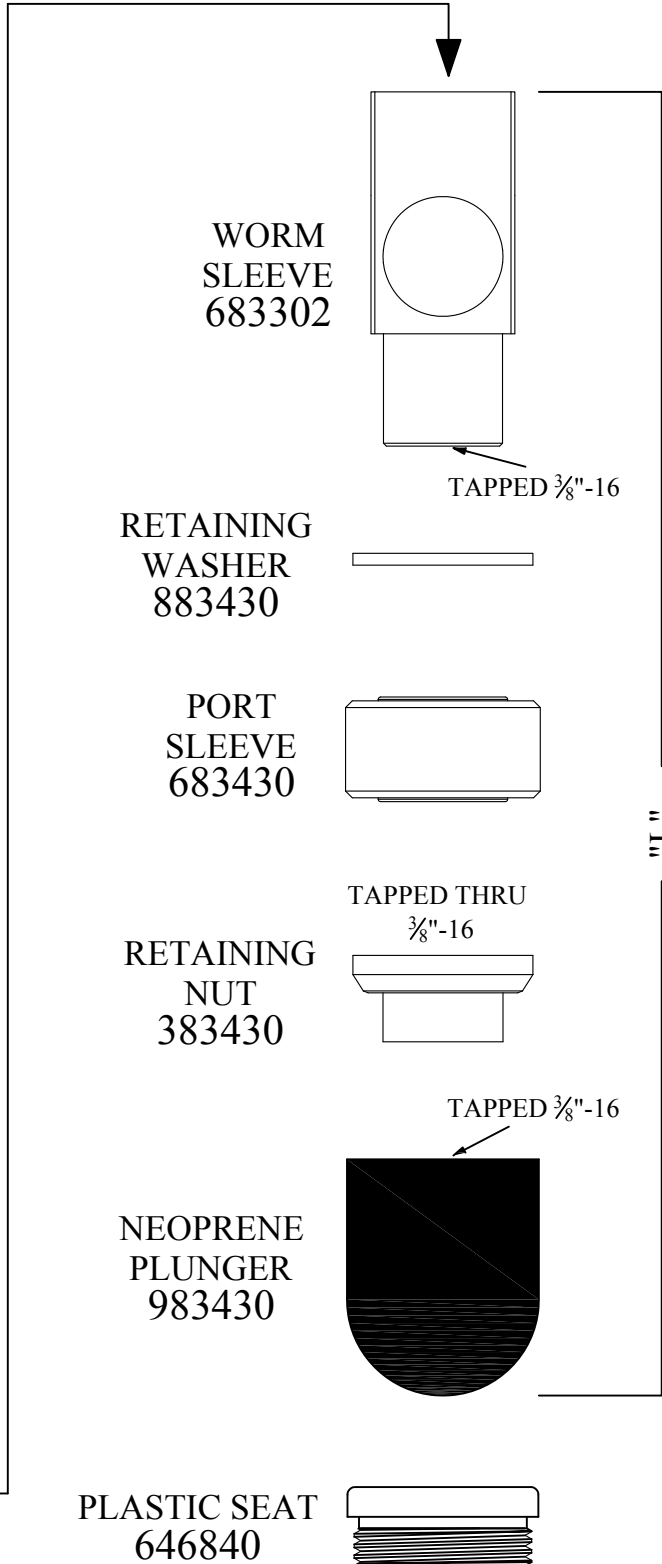
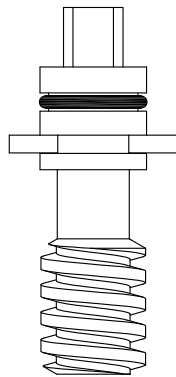
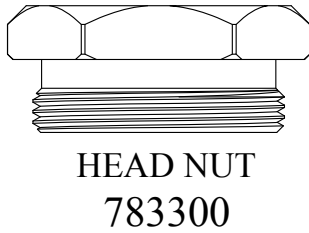
PLUNGER
 983200



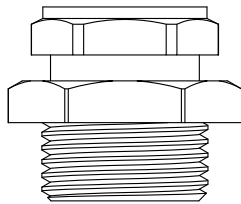
PLASTIC SEAT
 646840

FOR **WATTS / ANCON**
SERIES HY-420 & HY-725 AND HY-400 & HY-700
WALL HYDRANTS
AFTER AUGUST 1, 1988

PROVIDE YOUR NEEDED LENGTH FOR A QUOTE ON COMPLETE PLUNGER
 & WORM SLEEVE ASSEMBLY, OR ORDER PART NUMBERS 683302 & 983430
 AND USE THREADED ROD TO MAKE YOUR OWN CUSTOM LENGTH



FOR WOODFORD

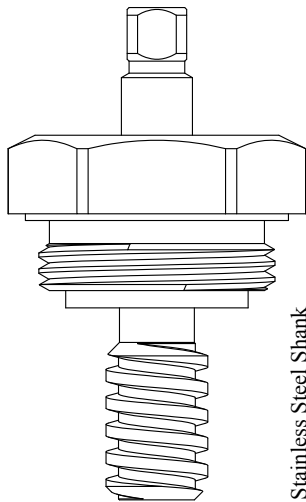


PACKING NUT
ASSEMBLY (CHROME)
383250-CP

FOR THE FOLLOWING
SERIES:

SERIES 70 FREEZELESS
WALL HYDRANT

SERIES 71, B71, 74, 75, B75, 81
& 84 CLOSE COUPLED WALL
HYDRANTS



HEAD NUT
ASSEMBLY
483252

SERIES Y30 FREEZELESS
YARD HYDRANT POST
MODEL

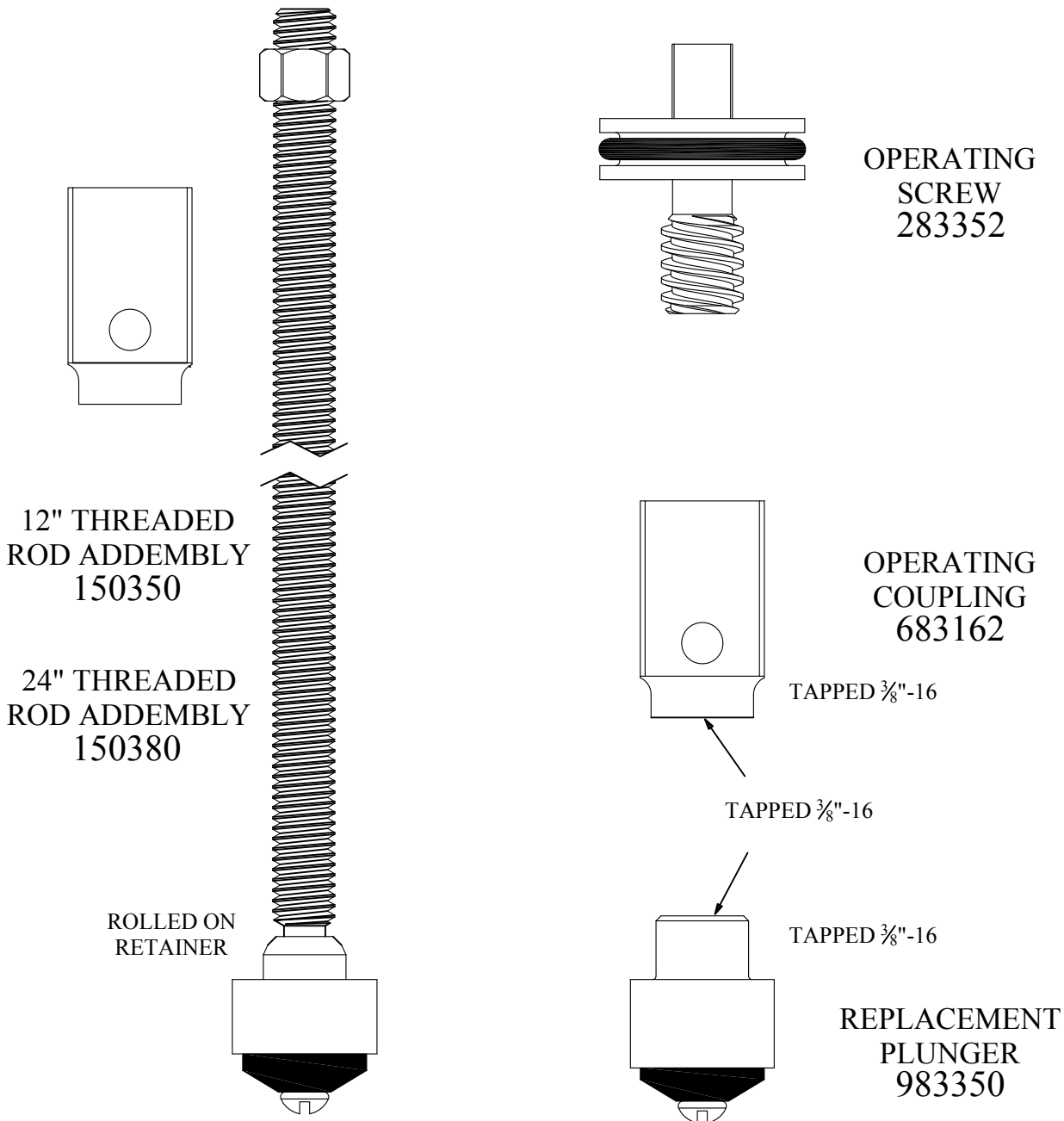
SERIES Y70 & Y95
FREEZELESS YARD
HYDRANTS YARD MODEL

ALSO AVAILABLE
CHROME PLATED
483252-CP

FOR ZURN

SERIES #Z-1305, Z-1310, Z-1315 & Z-1325 FREEZELESS WALL HYDRANTS

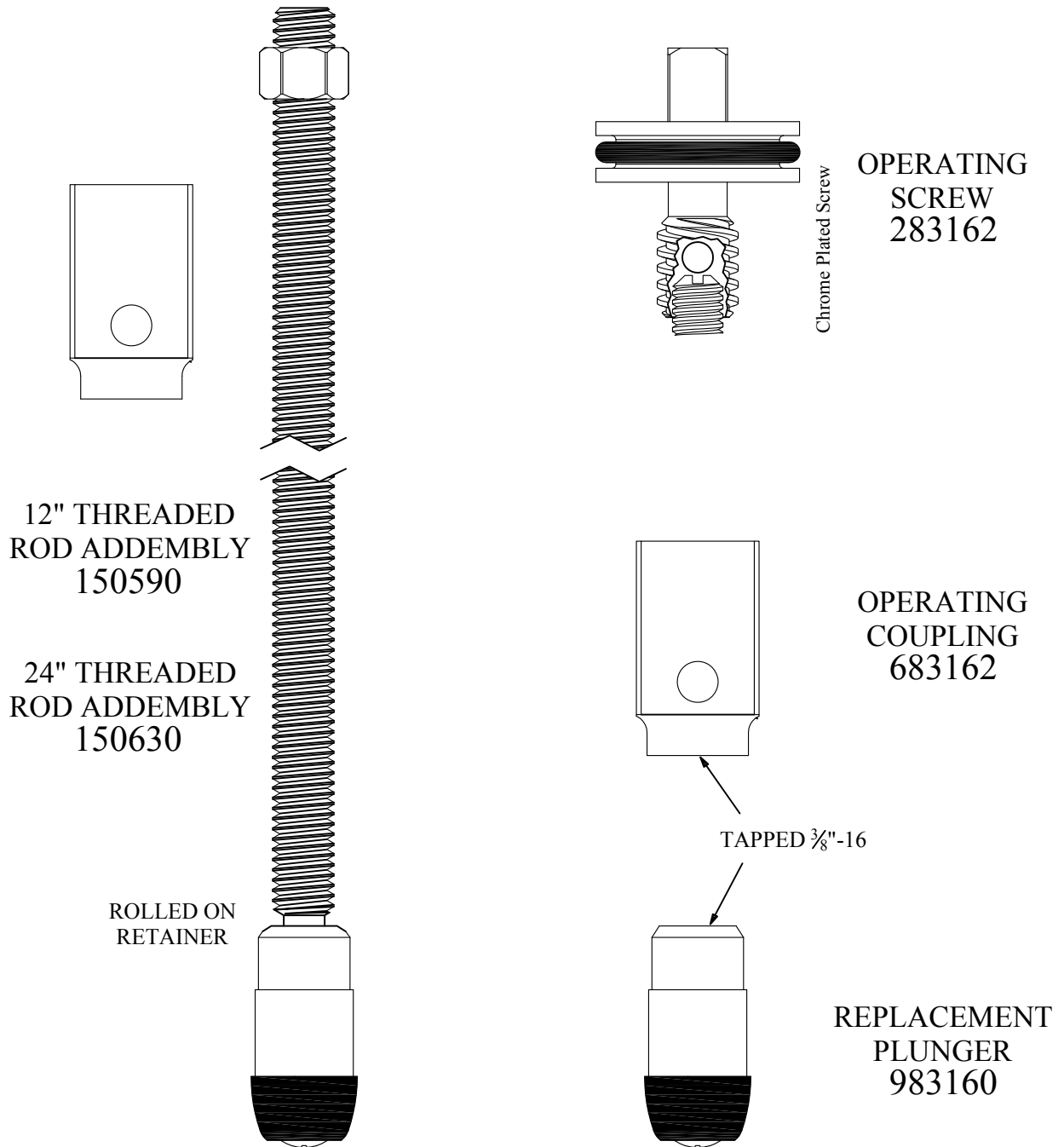
ORDER 12" OR 24" THREADED ROD ASSEMBLY, OR ORDER PART NUMBERS 683162 & 983350
AND USE THREADED ROD TO MAKE YOUR OWN CUSTOM LENGTH



FOR ZURN

SERIES #Z-1320, Z-1321, Z-1500 & Z-1510 FREEZELESS ECOLOTROL WALL HYDRANTS

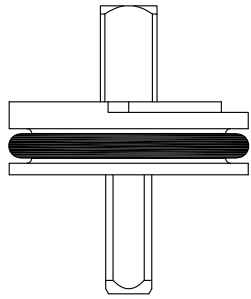
ORDER 12" OR 24" THREADED ROD ASSEMBLY, OR ORDER PART NUMBERS 683162 & 983160
AND USE THREADED ROD TO MAKE YOUR OWN CUSTOM LENGTH



FOR ZURN

SERIES #Z-1320NS & Z-1321NS

FREEZELESS, ANTI-SIPHON, AUTOMATIC DRAINING ECOLOTROL WALL HYDRANTS



OPERATOR
283170

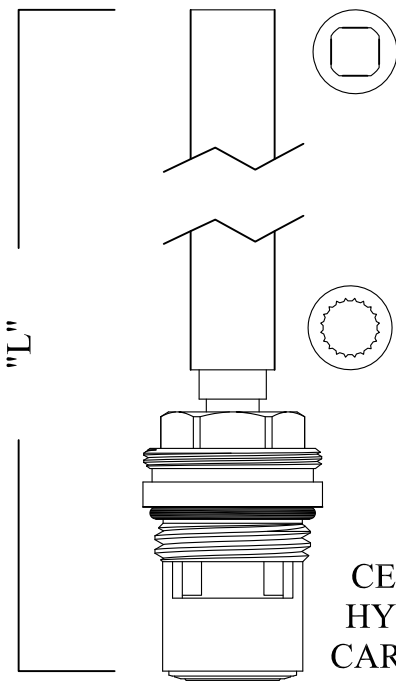
Nickel Plated

ORDER THE PART NUMBER FOR DESIRED
LENGTH BELOW, OR ORDER PART NUMBERS
129910 & 129980 ALONG WITH CERAMIC UNIT
LF459201 AND USE 5/16"-18 THREADED ROD TO
MAKE YOUR LENGTH

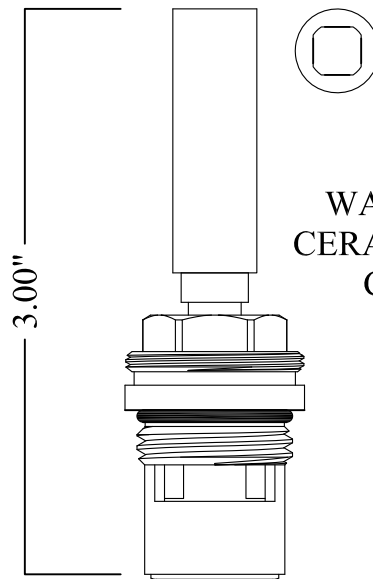
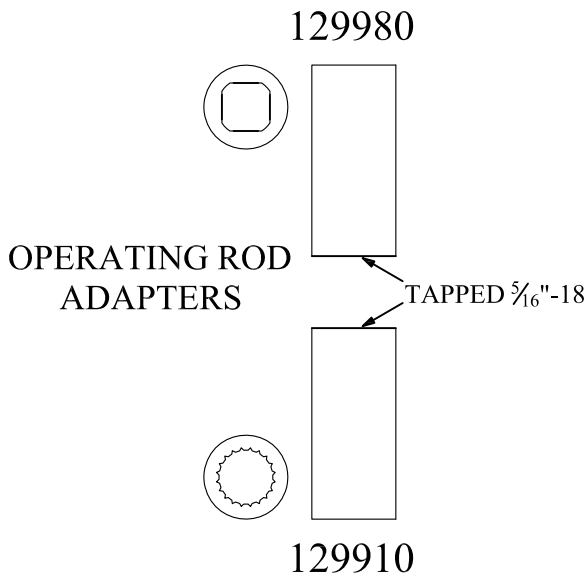
MADE WITH SOLID BRASS ROD
(NOT COPPER TUBE)

PART #	"L" (LENGTH)	WALL THICKNESS
483171-4	6 1/8"	4"
483171-6	8 1/8"	6"
483171-8	10 1/8"	8"
483171-10	12 1/8"	10"
483171-12	14 1/8"	12"
483171-14	16 1/8"	14"

ANY LENGTH IS AVAILABLE IN 1" INCREMENTS
SPECIFY NEEDED LENGTH WHEN ORDERING
EX. 18" WALL THICKNESS USES 20 1/8" LONG ASSEMBLY.
ORDER 483171-18



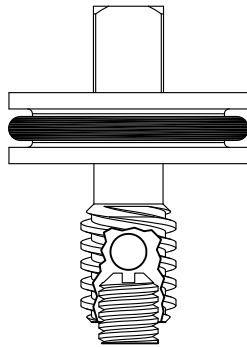
**CERAMIC
HYDRANT
CARTRIDGE**



**WARM CLIMATE
CERAMIC HYDRANT
CARTRIDGE**
466311

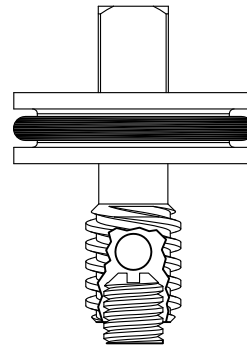
FOR ZURN

OLD STYLE #Z-1330
WARM WEATHER
HYDRANT

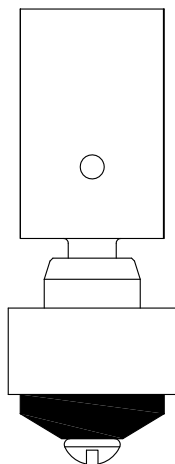


OPERATING
SCREW
283162

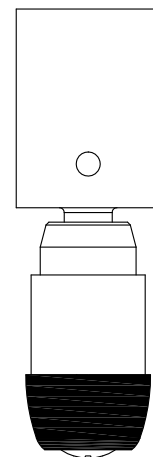
NEW STYLE #Z-1330
WARM WEATHER
HYDRANT



OPERATING
SCREW
283162



BLOCK & PLUNGER
ASSEMBLY
683332

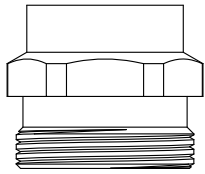


BLOCK & PLUNGER
ASSEMBLY
683342

FOR ZURN

JONESPEC LIGHT
COMMERCIAL
HYDRANT Z1341

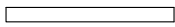
OLD STYLE
REVERSE THREAD



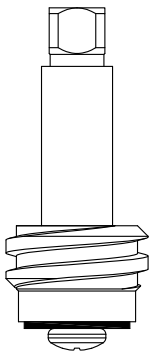
HYDRANT
NUT
700490



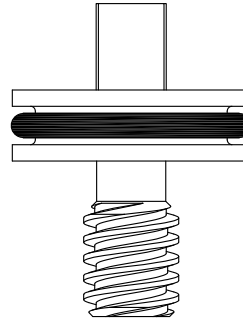
STEM
PACKING
896300



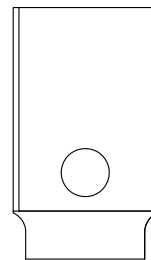
BRASS
WASHER
895890



HYDRANT
STEM
200491

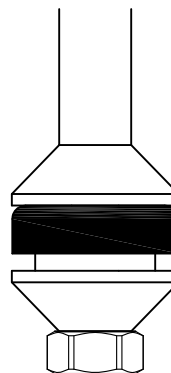


OPERATING
SCREW
283361



OPERATING
COUPLING
683361

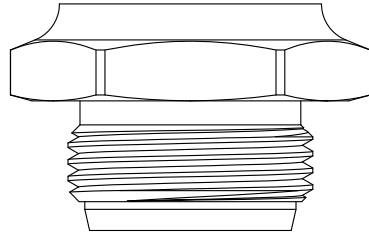
TAPPED $\frac{3}{8}$ "-16



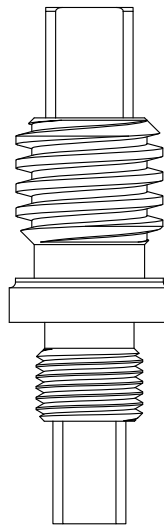
AVAILABLE AS
SPECIAL ORDER
W/ U-CUP
SPECIFY LENGTH

FOR ZURN

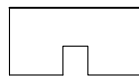
HYDRANT STEM UNIT



HYDRANT
GLAND
783401

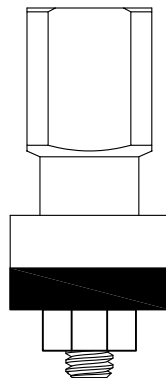


OPERATING
SCREW
283401

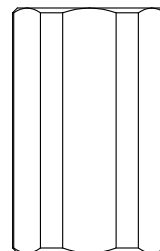


SCREW
LOCKNUT
983400

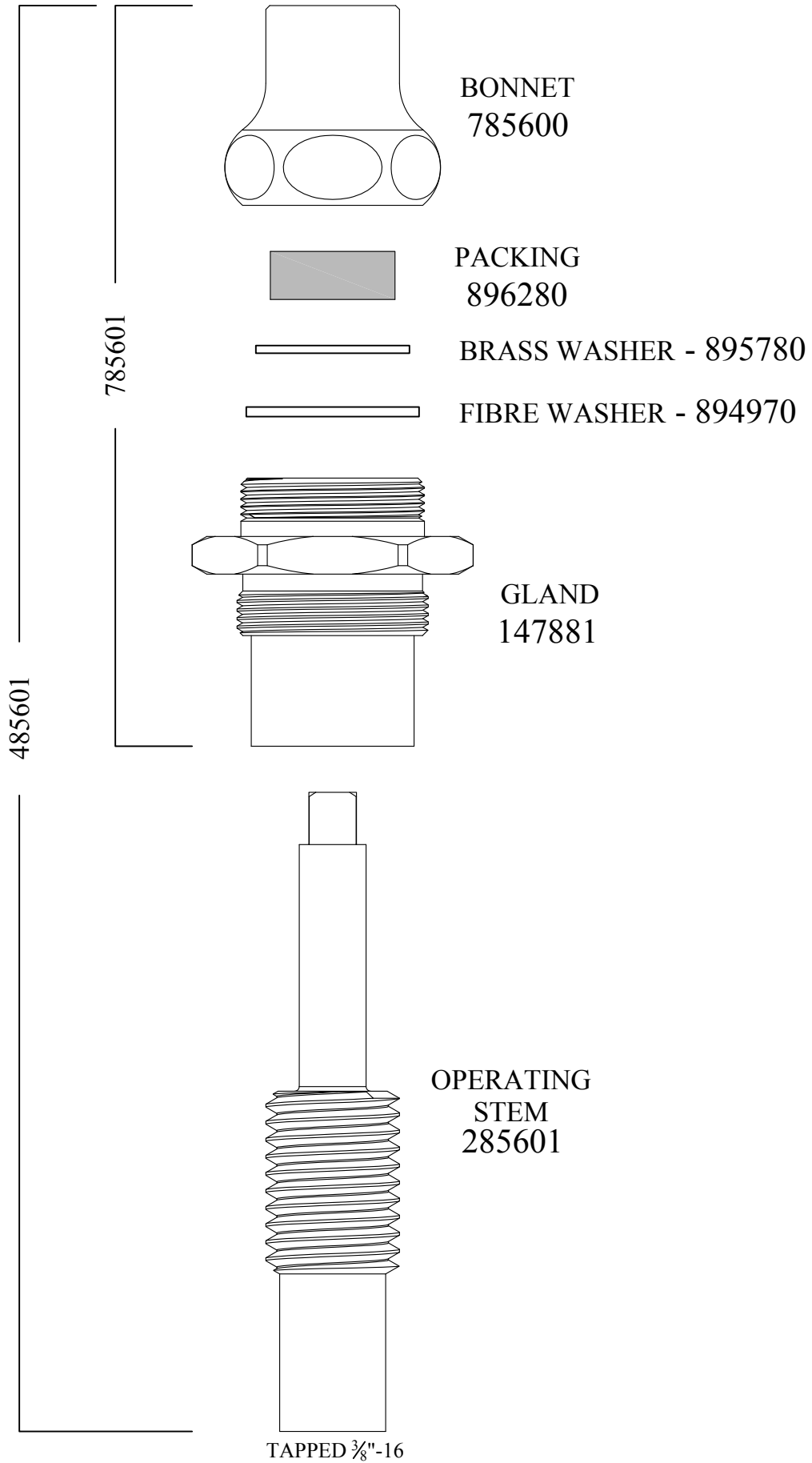
HYDRANT
RETAINER
583400



HYDRANT
SLEEVE
683400



FOR UNKNOWN

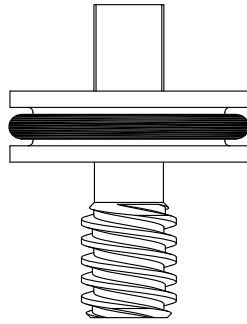


OPERATING SCREWS & WORM STEMS



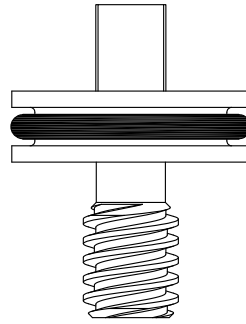
UNKNOWN HYDRANT
STEM END

283352



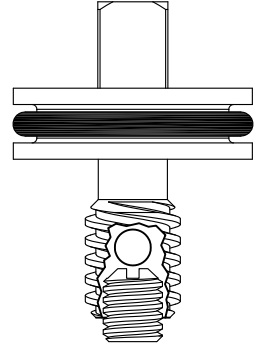
ZURN OPERATING SCREW
NEW STYLE #3

283352



ZURN OPERATING SCREW
OLD STYLE

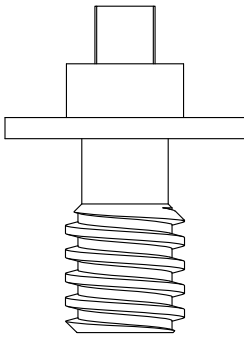
283361



ZURN OPERATING SCREW

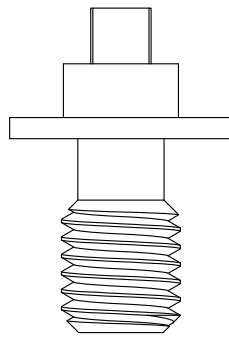
283162

Chrome Plated Screw



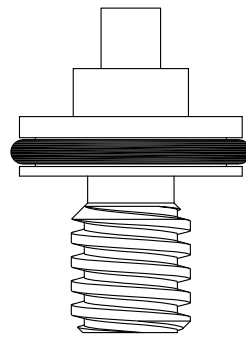
J.R. SMITH OPERATING
SCREW COARSE THREAD

283082



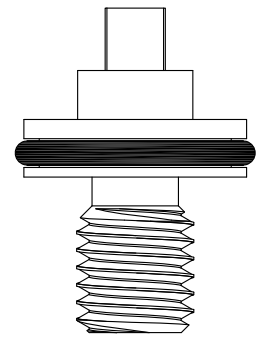
J.R. SMITH OPERATING
SCREW FINE THREAD

283062



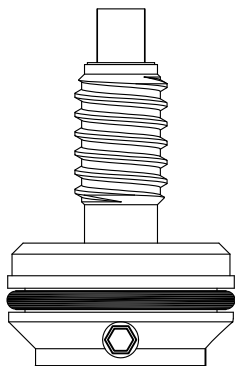
J.R. SMITH OPERATING
SCREW COARSE THREAD

283072



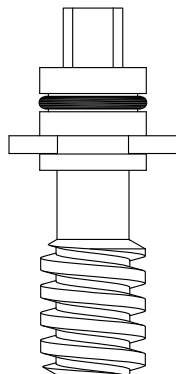
J.R. SMITH OPERATING
SCREW FINE THREAD

283052



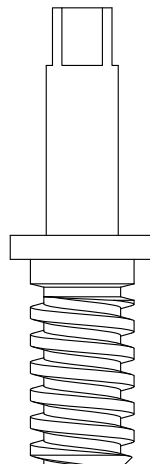
JOSAM HYDRANT STEM

283112



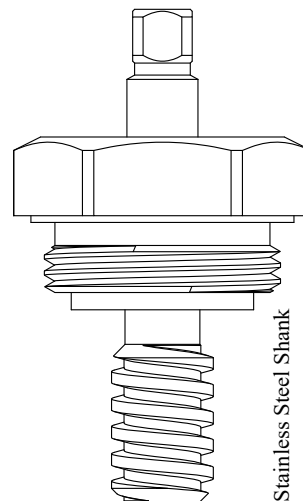
WADE HYDRANT STEM

283302



JOSAM STREET
WASHER STEM

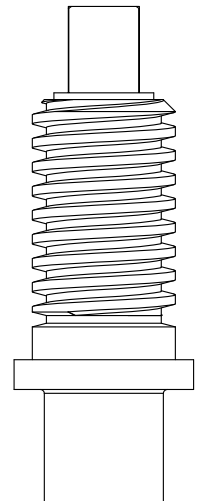
283192



WOODFORD HEAD NUT
ASSEMBLY

483252

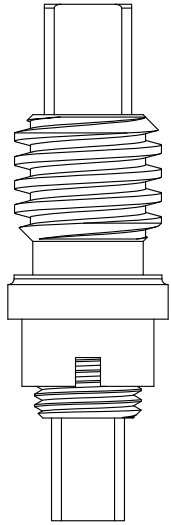
Stainless Steel Shank



JOSAM OPERATING SCREW

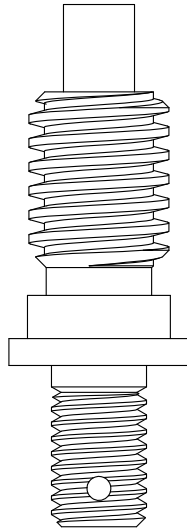
283431

OPERATING SCREWS & STEMS



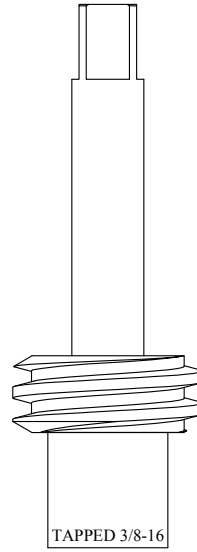
ZURN OPERATING
SCREW

283401



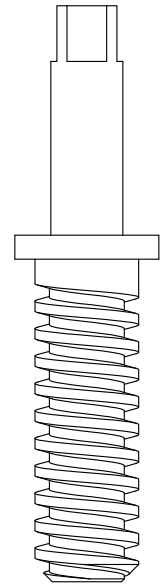
JOSAM OPERATING
SCREW

283411



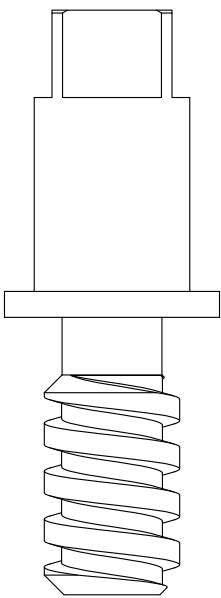
JOSAM OPERATING
SCREW

285001



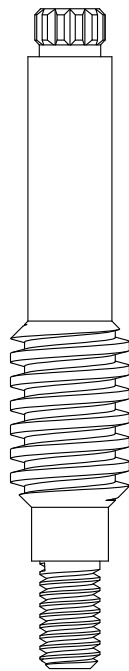
JOSAM WORM
STEM

283202



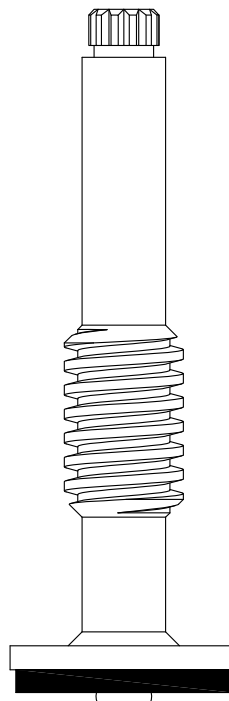
GREENBERG STREET
WASHER STEM

283152



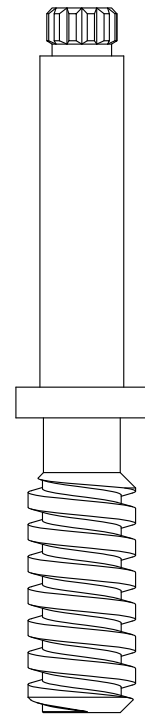
ARROWHEAD
SANITARY STEM

181271



ARROWHEAD 1"
HOSE BIBB STEM

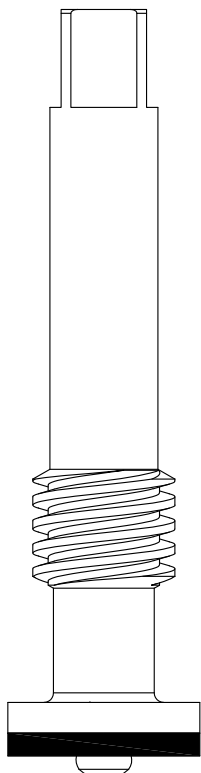
159771



ARROWHEAD
WEEP HOLE STEM

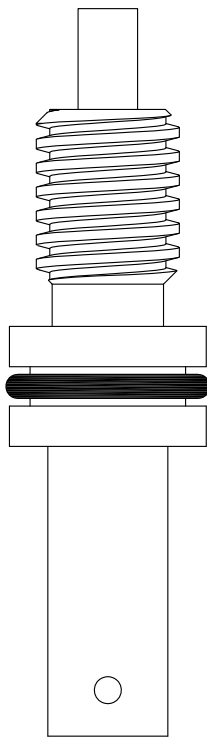
181342

OPERATING SCREWS & STEMS



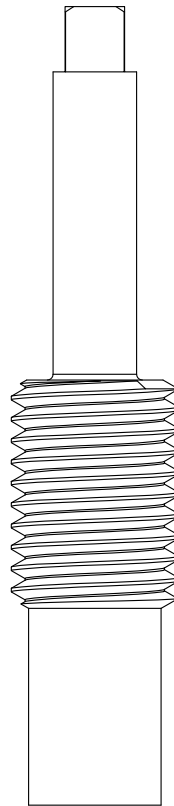
T & J STREET
WASHER STEM

283011



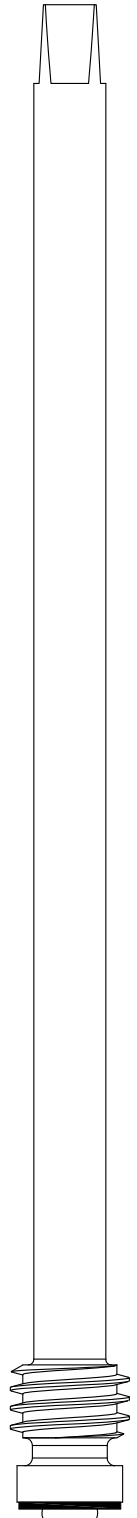
GREENBERG STREET
WASHER STEM

283241



UNKNOWN HYDRANT STEM
TAPPED $\frac{3}{8}$ "-16

285601

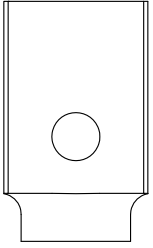


UNKNOWN HYDRANT
STEM

152911

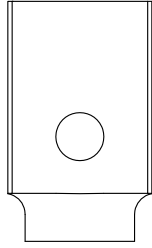
OPERATING BLOCKS & WORM SLEEVES

COARSE THREAD

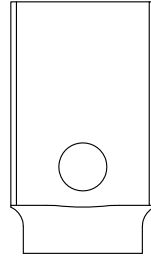


J.R. SMITH
OPERATING BLOCK
TAPPED $\frac{3}{8}$ "-16
683072

FINE THREAD

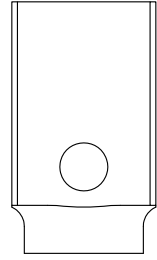


J.R. SMITH
OPERATING BLOCK
TAPPED $\frac{3}{8}$ "-16
683052



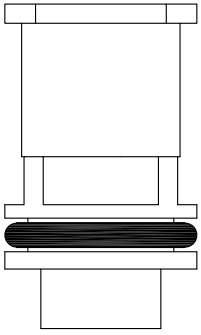
ZURN
OPERATING BLOCK
TAPPED $\frac{3}{8}$ "-16
683162

REVERSE THREAD



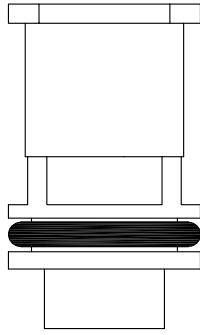
ZURN
OPERATING BLOCK
TAPPED $\frac{3}{8}$ "-16
683361

COARSE THREAD

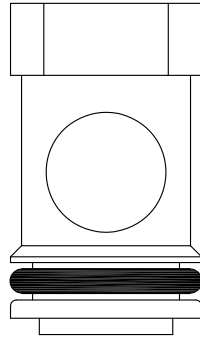


J.R. SMITH
OPERATING BLOCK
TAPPED $\frac{3}{8}$ "-16
683082

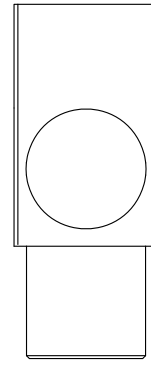
FINE THREAD



J.R. SMITH
OPERATING BLOCK
TAPPED $\frac{3}{8}$ "-16
683062



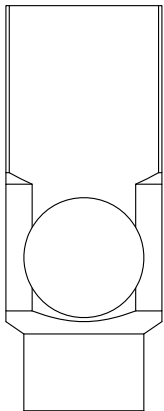
WADE
OPERATING BLOCK
TAPPED $\frac{1}{4}$ "-20
683312



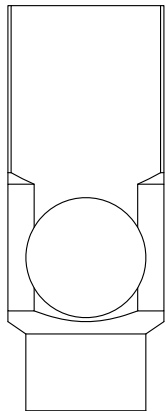
WATTS
WORM SLEEVE
TAPPED $\frac{3}{8}$ "-16
683302



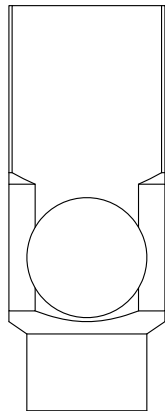
JOSAM / WADE
SLEEVE
TAPPED $\frac{3}{8}$ "-16
683232



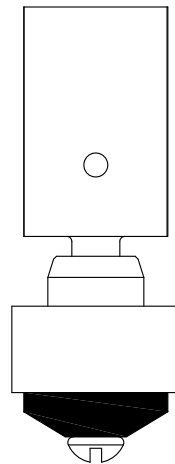
JOSAM
WORM SLEEVE
 $\frac{3}{8}$ " SWEAT
683202



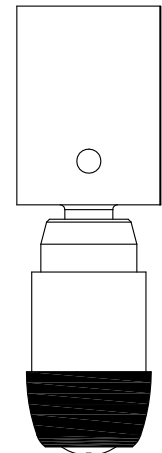
JOSAM
WORM SLEEVE
TAPPED $\frac{3}{8}$ "-16
683212



JOSAM
WORM SLEEVE
TAPPED $\frac{7}{16}$ "-14
683222



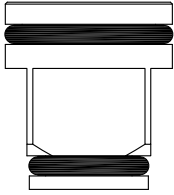
ZURN OPERATING BLOCK &
PLUNGER ASSEMBLY (OLD STYLE)
683332



ZURN OPERATING BLOCK &
PLUNGER ASSEMBLY
(NEW STYLE)
683342

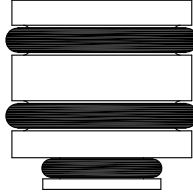
PLUNGER & PLUNGER ASSEMBLIES

TAPPED $\frac{3}{8}$ "-16



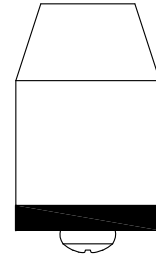
J.R. SMITH
PLUNGER
983060

$\frac{1}{2}$ " SWEAT

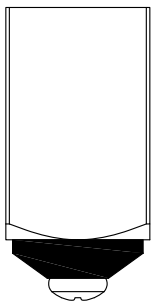


J.R. SMITH
PLUNGER
983070

TAPPED $\frac{3}{8}$ "-16

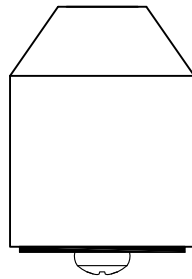


JOSAM
PLUNGER
985000



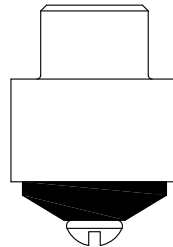
WADE PLUNGER
983302

TAPPED $\frac{3}{8}$ "-16



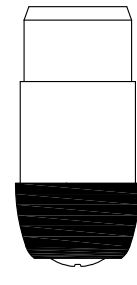
JOSAM
PLUNGER
983410

TAPPED $\frac{3}{8}$ "-16



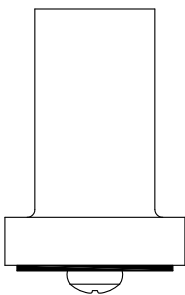
ZURN
PLUNGER (OLD STYLE)
983350

TAPPED $\frac{3}{8}$ "-16

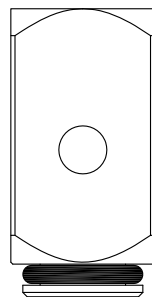


ZURN
PLUNGER (NEW STYLE)
983160

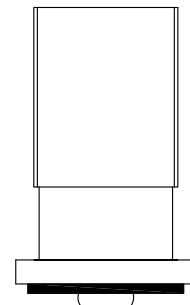
TAPPED $\frac{3}{8}$ "-16



J.R. SMITH
PLUNGER
983050



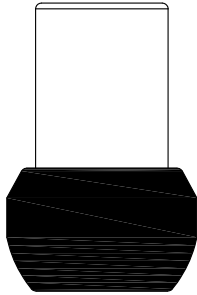
COARSE THREAD
983042



J.R. SMITH
PLUNGER OLD STYLE
983032

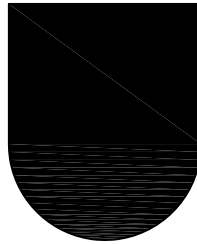
PLUNGER & PLUNGER ASSEMBLIES

TAPPED $\frac{3}{8}$ "-16



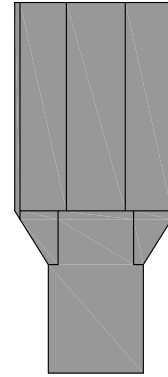
WATTS / ANCON
PLUNGER
983200

TAPPED $\frac{3}{8}$ "-16

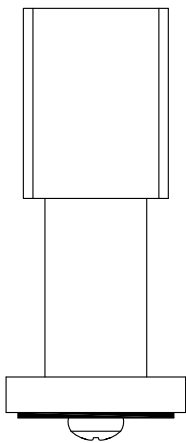


JOSAM
PLUNGER
983430

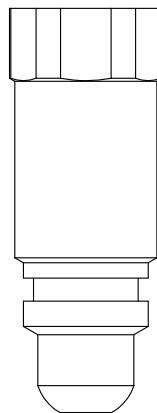
TAPPED $\frac{1}{4}$ "-20



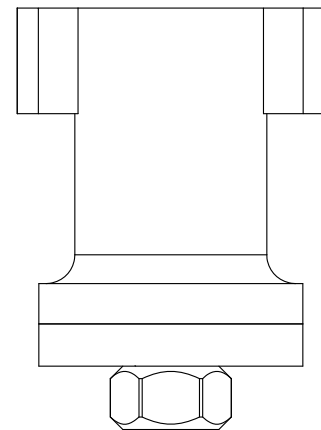
PRIER PLUNGER
983310



J.R. SMITH
COUPLING PLUNGER
983092



ARROWHEAD
WEEP HOLE PLUNGER
182670



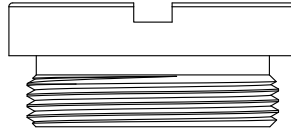
GREENBERG STREET
WASHER PLUNGER
983152

WORM, FACE, HEAD AND PACKING NUTS



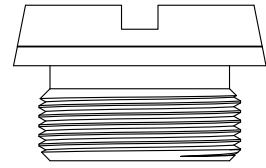
J.R. SMITH
FACE NUT (OLD STYLE)

783050



J.R. SMITH
FACE NUT (NEW STLYE)

783070

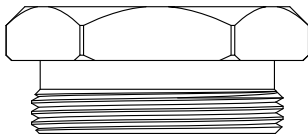


J.R. SMITH
FACE NUT

783610

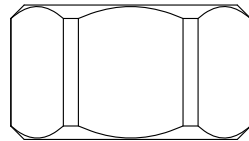
Also available chrome plated

783300-CP



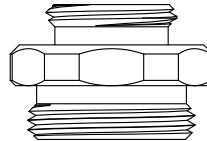
WADE
FACE NUT

783300



ARROWHEAD
HOSE BIBB NUT

159840

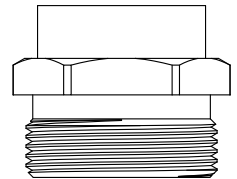


B & K
FREEZE-PROOF GLAND

785700

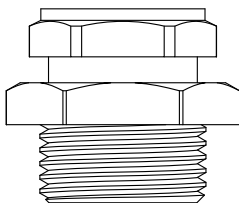
Also available chrome plated

383200-CP



WADE
PACKING NUT

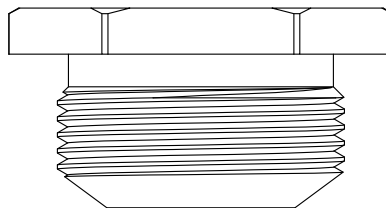
383200



WOODFORD
PACKING NUT ASSEMBLY

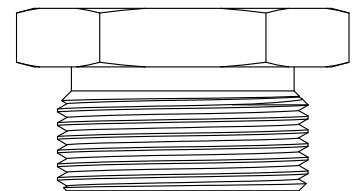
383250-CP

Chrome Plated



JOSAM
HEAD NUT

783411



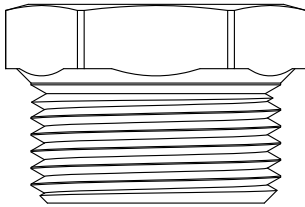
GREENBERG
PACKING NUT

383150

WORM, FACE, HEAD AND PACKING NUTS

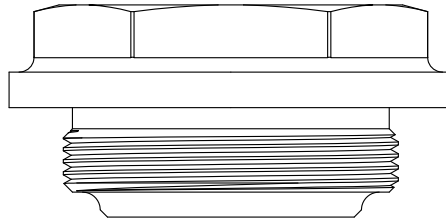
Also available chrome plated

783200-CP



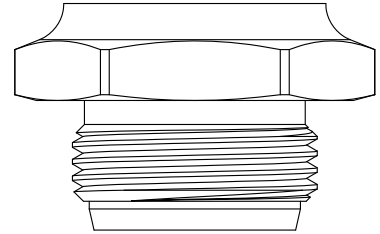
JOSAM
HEAD NUT

783200



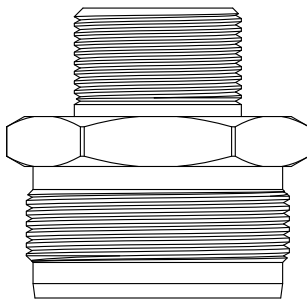
GREENBERG
HEAD NUT

109540



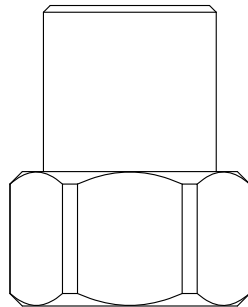
ZURN
HEAD NUT

783401



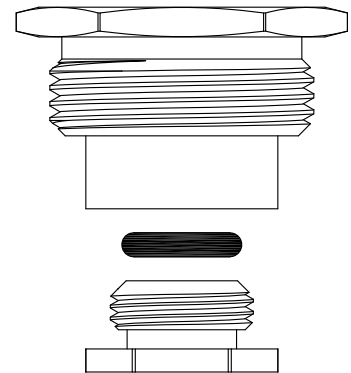
JOSAM
DRAW NUT

783112



ARROWHEAD
LOOSE KEY NUT

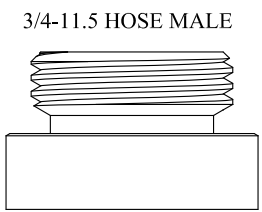
106300



JOSAM
HEAD NUT ASSEMBLY

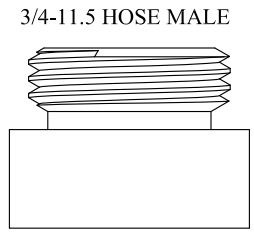
785000

ADAPTERS



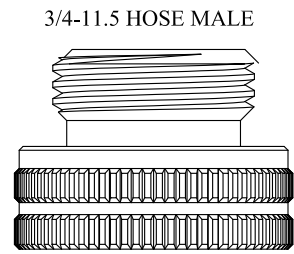
3/4-11.5 HOSE MALE
HOSE BIBB ADAPTER
1-3/16-20 FEMALE

147020



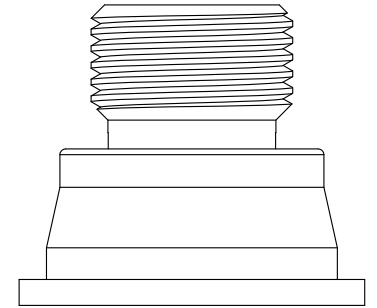
3/4-11.5 HOSE MALE
HOSE BIBB ADAPTER
1-1/16-20 FEMALE

130080



3/4-11.5 HOSE MALE
HOSE BIBB ADAPTER
1" - 11.5 NPS FEMALE

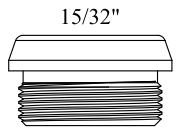
146040



ZURN NOZZLE
3/4-11.5 HOSE MALE
OEM# 50799-005

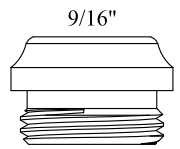
149090

SEATS



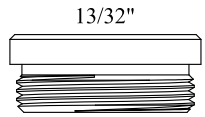
15/32"
J.R. SMITH SEAT
3/4-27

649550



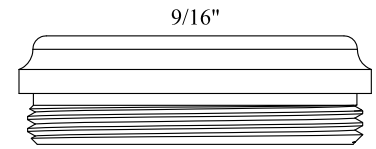
9/16"
ZURN HYDRANT SEAT
3/4-16

646920
OEM# P1310-#16



13/32"
JOSAM / WADE / PRIER SEAT

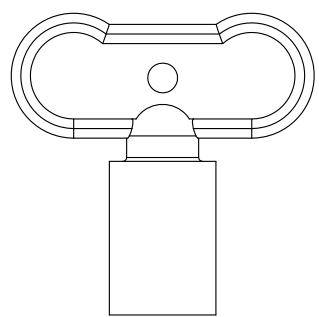
646840



9/16"
ZURN HYDRANT SEAT

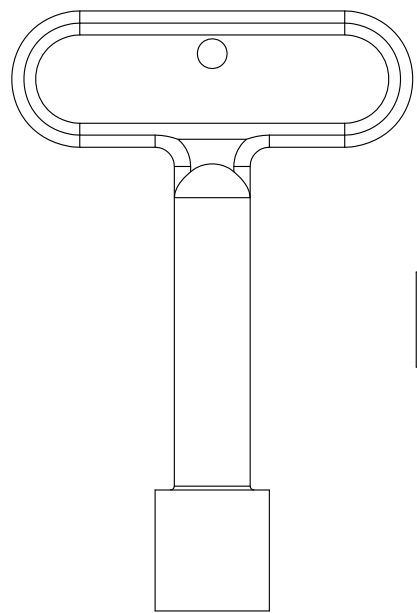
646830

TOOLS



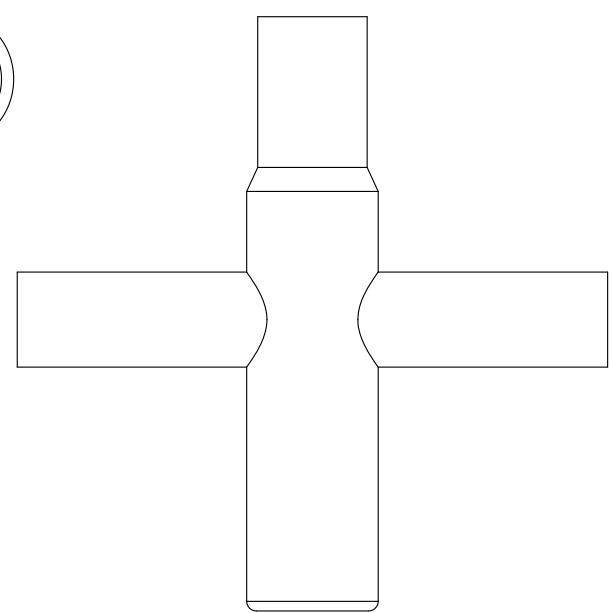
HYDRANT HANDLE
5/16 SQUARE

999030



HYDRANT HANDLE
5/16 & 3/8 SQUARE

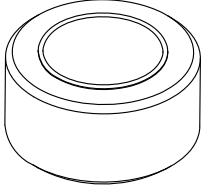
999040



4 IN 1 HYDRANT KEY

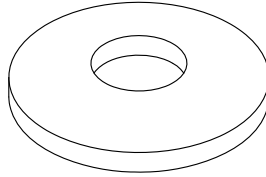
999050

MISCELLANEOUS



JOSAM DRAIN
PORT SLEEVE

683430



ZURN EQUA-BALANCE
SEAL

147760

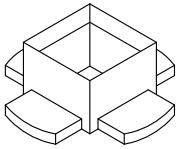
OEM# P1310-#2
50785-001



ZURN HYDRANT BIBB WASHER

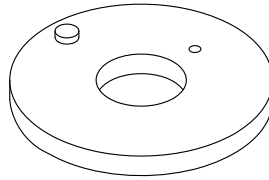
898480

OEM# P1321-C-#11



J.R. SMITH PLASTIC
GUIDE BUSHING

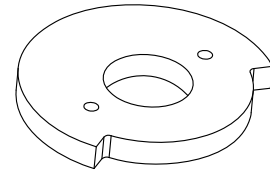
149440



ZURN RETAINING WASHER

LF150140

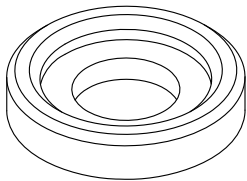
OEM# 602280012



J.R. SMITH RETAINING WASHER

151710

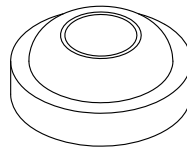
OEM# 602280012



PRIER / WADE / JOSAM
PLASTIC RETAINER SEAL

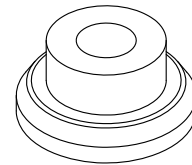
883310

PRIER OEM# 391-4008



JOSAM / PRIER / WADE
PACKING

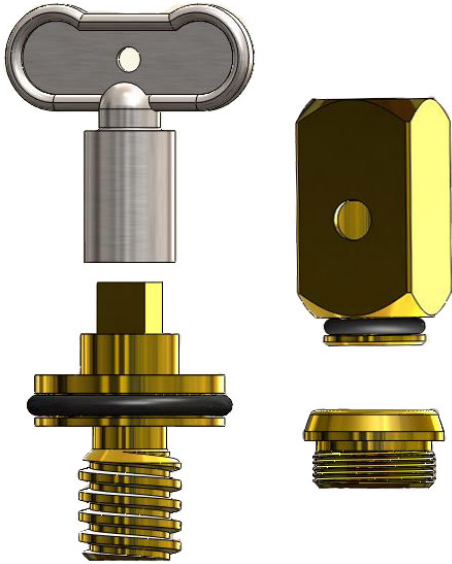
896320



JOSAM HYDRANT
RETAINING NUT

383430

J.R. SMITH*



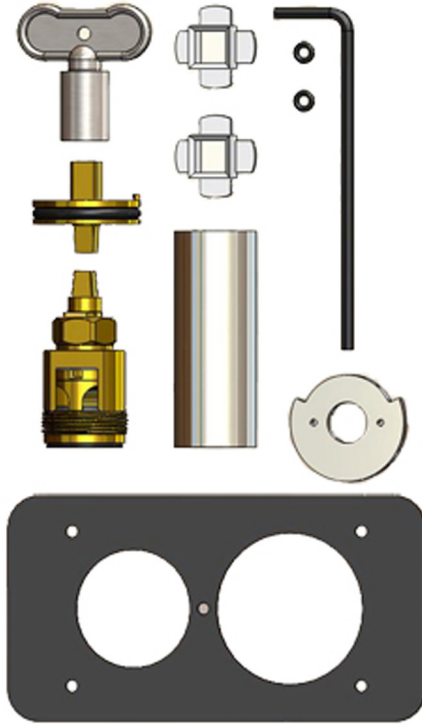
Hydrant Repair Kit

150310

For 5607-5609, 5730-5731 & 5760-5761

OEML HPRK-3

J.R. SMITH*



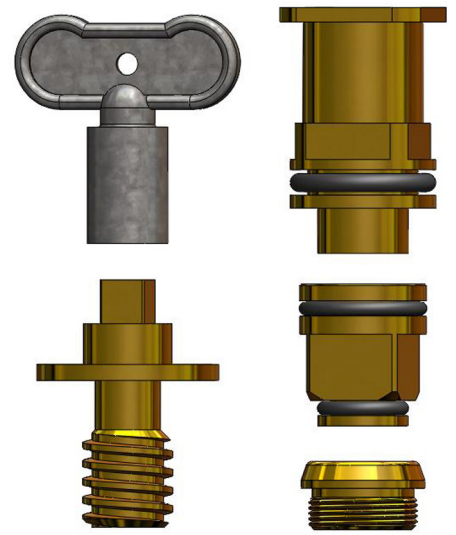
Hydrant Repair Kit

151800

For 5515BS, 5517BS, 5519BS, 5615BS & 5619BS

OEM: HPRK-19

J.R. SMITH*



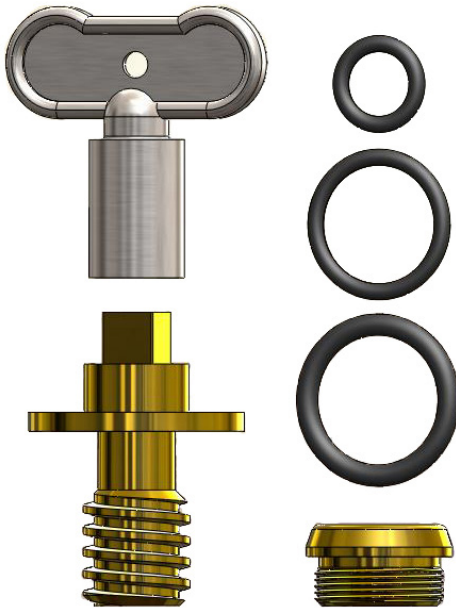
Hydrant Repair Kit

154270

For 5509 & 5609 (New Style)

OEM: P071-31

J.R. SMITH*



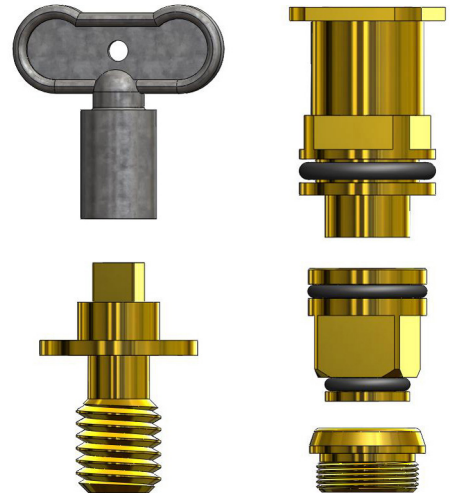
Hydrant Repair Kit

150280

For 5509 & 5609

OEM: HPRK-2

J.R. SMITH*



Hydrant Repair Kit

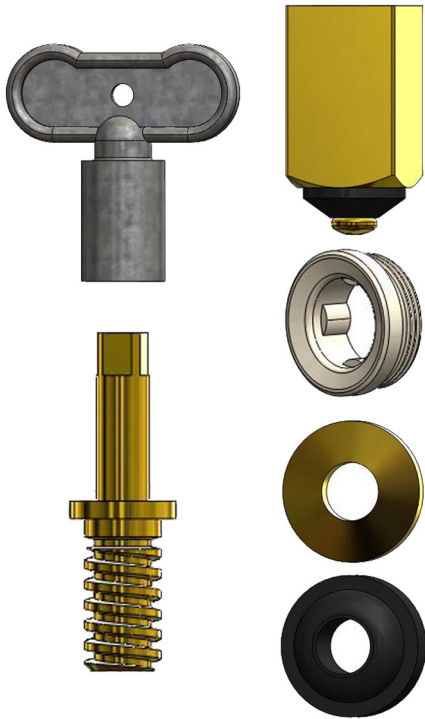
155000

For 5509 & 5609 (Old style) (Fine thread)

To Order, Email Orderdesk@barrywalter.com or Fax 1-800-886-9831 - BarryWalter.com

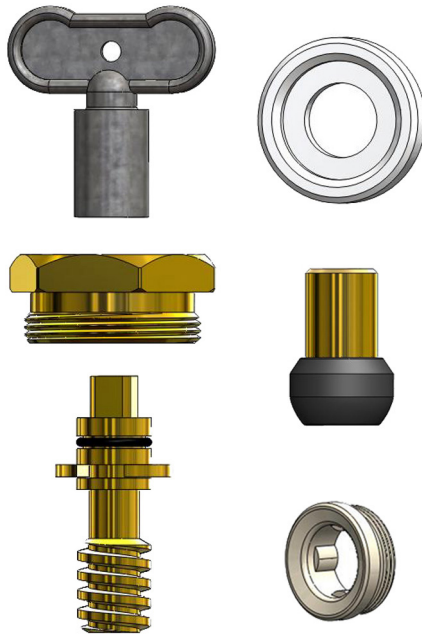
*Original Mfg's names are used for identification only and are not a representation that the items offered are genuine items of the original Mfg.

JOSAM*



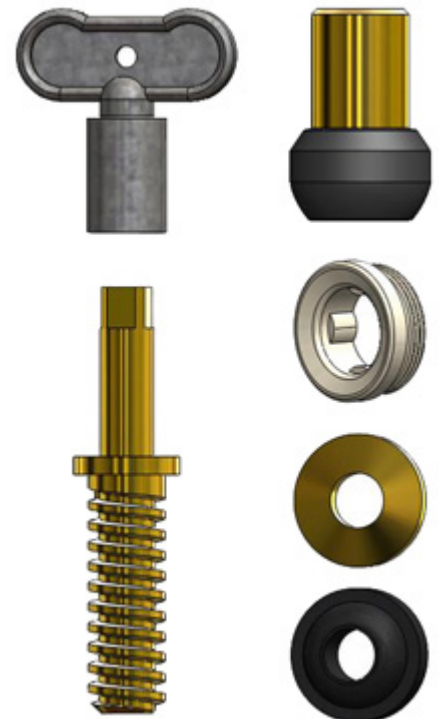
Hydrant Repair Kit
151330
OEM: #12

JOSAM*



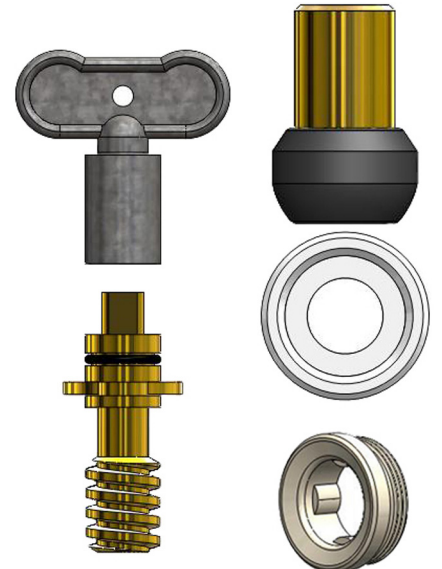
Hydrant Repair Kit
151470
OEM: #22

JOSAM*



Hydrant Repair Kit
151260
OEM: #4

JOSAM*



Hydrant Repair Kit
151290
OEM: #5

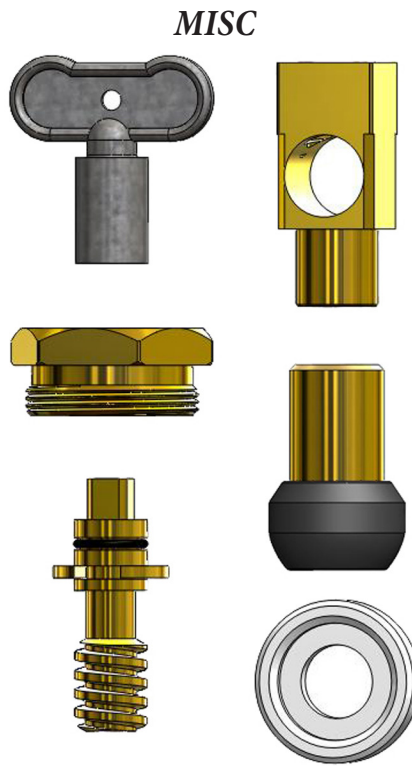
To Order, Email Orderdesk@barrywalter.com or Fax 1-800-886-9831 - BarryWalter.com

*Original Mfg's names are used for identification only and are not a representation that the items offered are genuine items of the original Mfg.



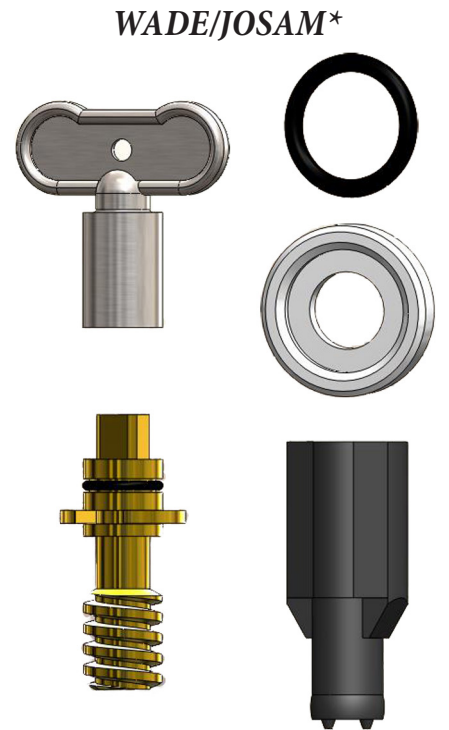
Hydrant repair Kit

151220
OEM: #1



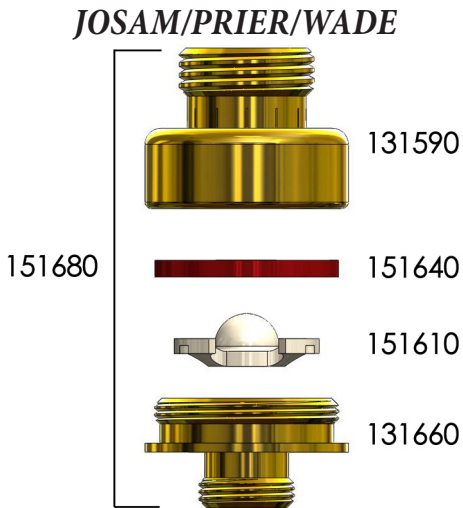
Hydrant Repair Kit

152590
OEM: HK8



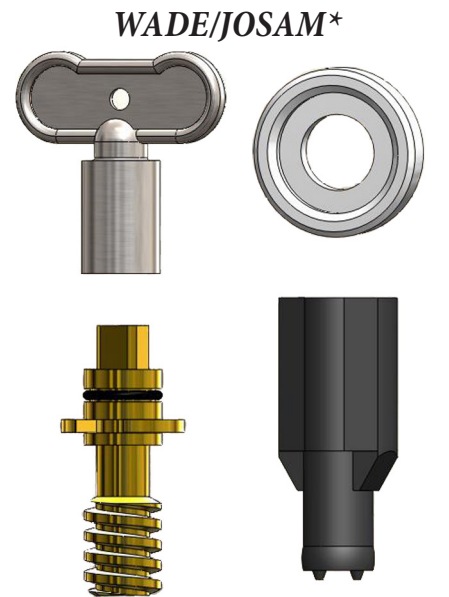
Hydrant Repair Kit

150770
OEM: WK1



Vacuum Breaker Assembly

151680
Includes 131590, 131660, 151610, and 151640
OEM: WK08



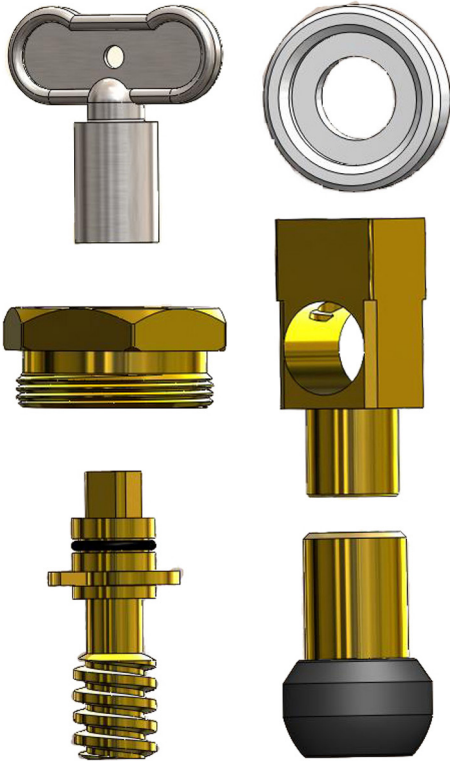
Hydrant Repair Kit

150800
OEM: WK05/HK2

To Order, Email Orderdesk@barrywalter.com or Fax 1-800-886-9831 - BarryWalter.com

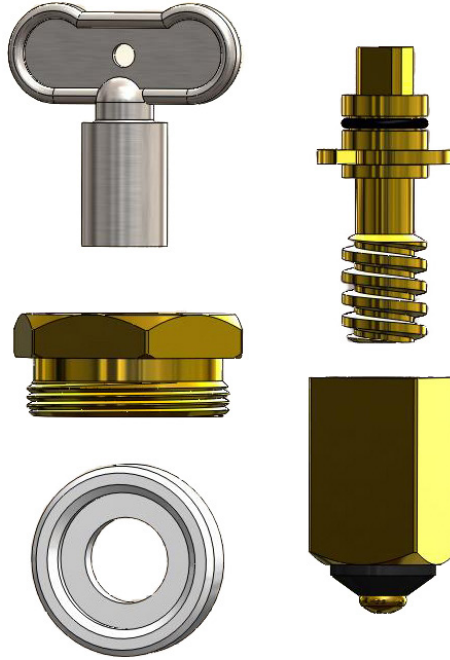
*Original Mfg's names are used for identification only and are not a representation that the items offered are genuine items of the original Mfg.

WADE/JOSAM*



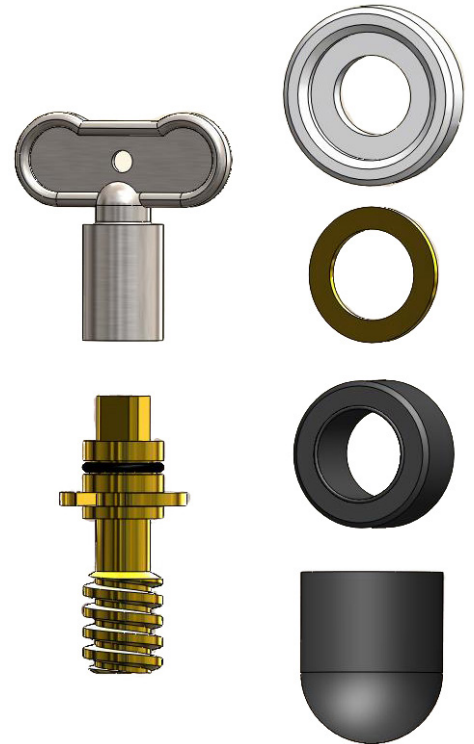
Hydrant Repair Kit
150840
OEM: WK6

WADE/JOSAM*



Hydrant Repair Kit
150870
OEM: WK7

WADE/JOSAM*

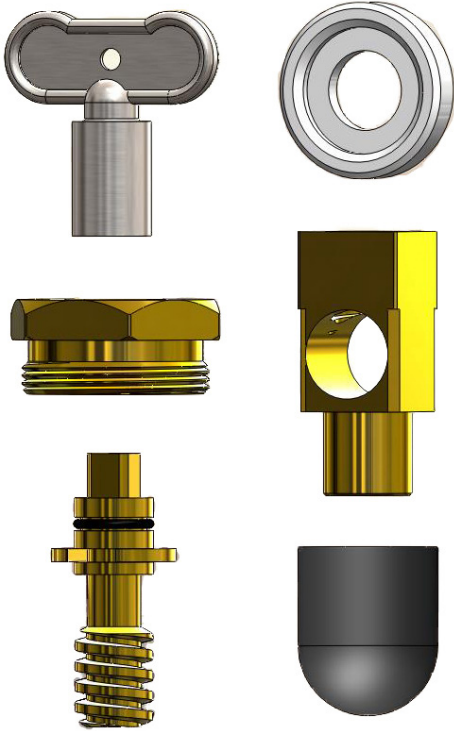


Hydrant Repair Kit
150910
OEM: WK10

To Order, Email Orderdesk@barrywalter.com or Fax 1-800-886-9831 - BarryWalter.com

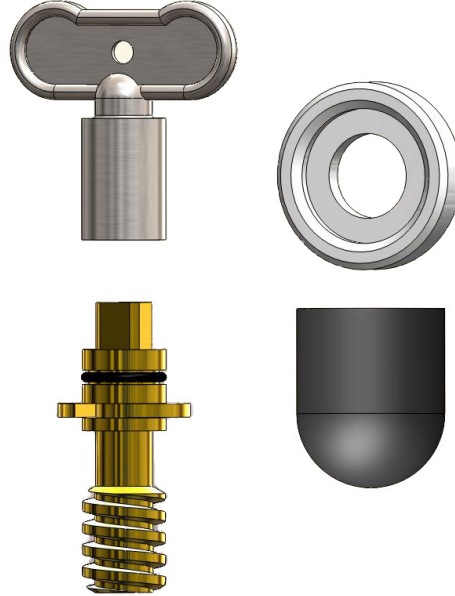
*Original Mfg's names are used for identification only and are not a representation that the items offered are genuine items of the original Mfg.

WADE/JOSAM*



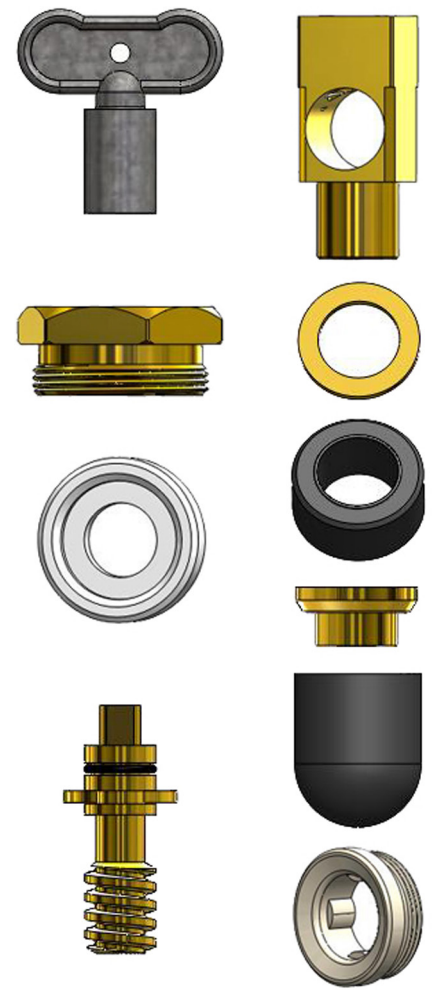
Hydrant Repair Kit
 150980
 OEM: WK14/HK6

WADE/JOSAM*



Hydrant Repair Kit
 151120
 OEM: HK5/#15

WADE/JOSAM*



Hydrant Repair Kit
 150940
 OEM: WK11

To Order, Email Orderdesk@barrywalter.com or Fax 1-800-886-9831 - BarryWalter.com

*Original Mfg's names are used for identification only and are not a representation that the items offered are genuine items of the original Mfg.

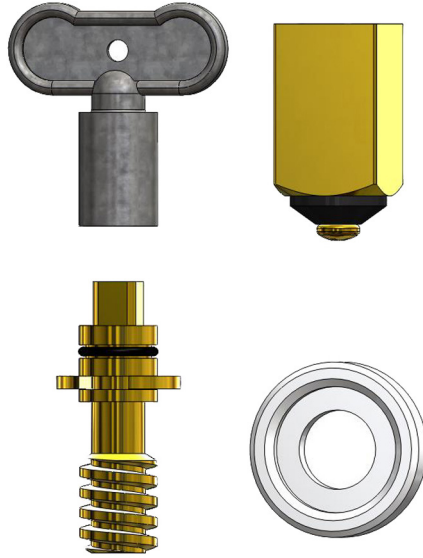
WADE/JOSAM*



Hydrant Repair Kit

151190
OEM: WK12

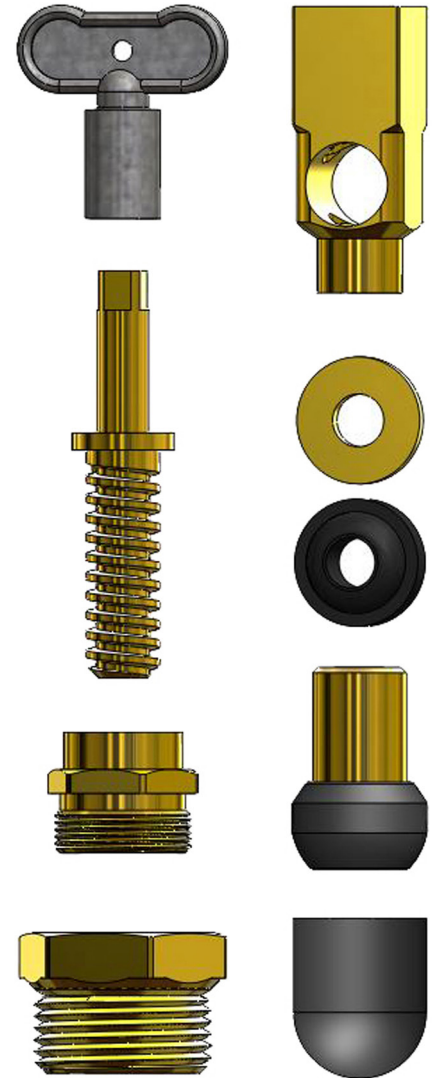
WADE/JOSAM*



Hydrant Repair Kit

151430
OEM: MDW-8630

WADE/JOSAM*



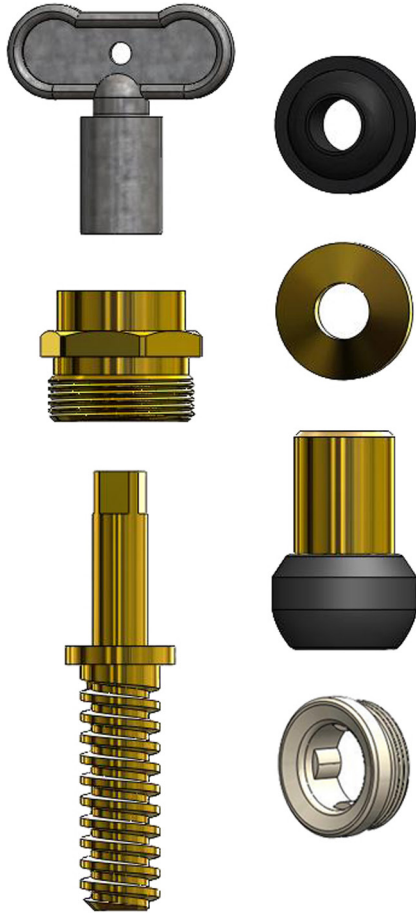
Hydrant Repair Kit

151010
OEM: WK17

To Order, Email Orderdesk@barrywalter.com or Fax 1-800-886-9831 - BarryWalter.com

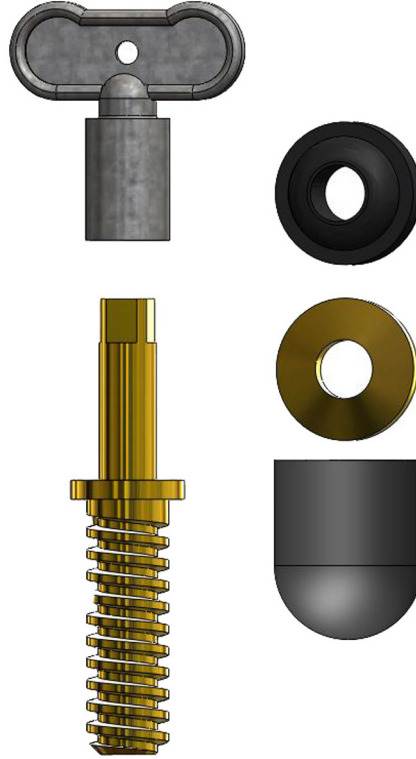
*Original Mfg's names are used for identification only and are not a representation that the items offered are genuine items of the original Mfg.

WADE/JOSAM*



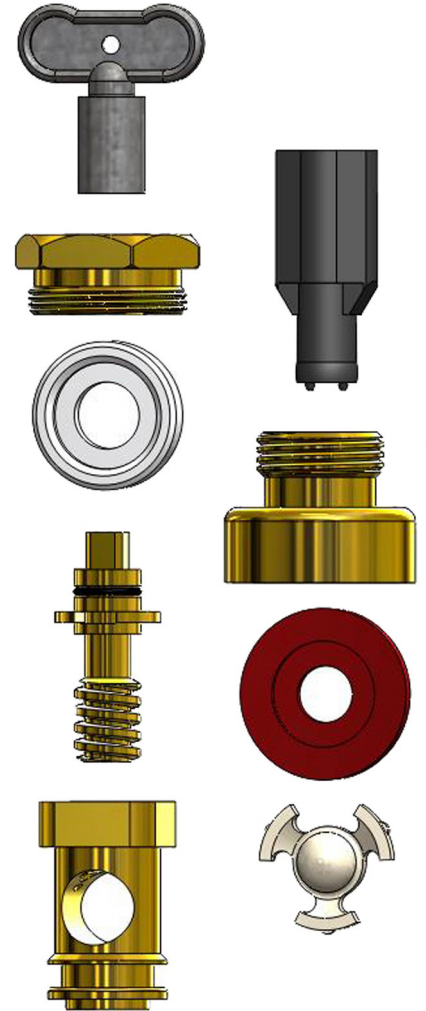
Hydrant Repair Kit
151050
OEM: HK3/#21

WADE/JOSAM*



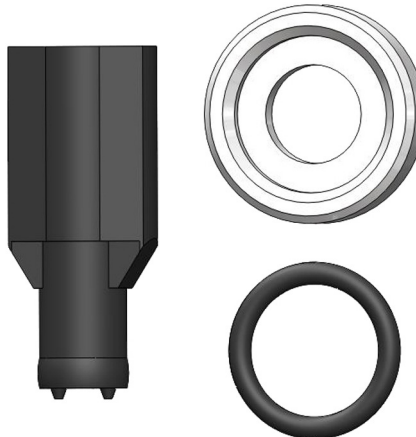
Hydrant Repair Kit
151080
OEM: HK4

WADE/JOSAM*



Hydrant Repair Kit
151360
OEM: WK02

WADE/JOSAM*

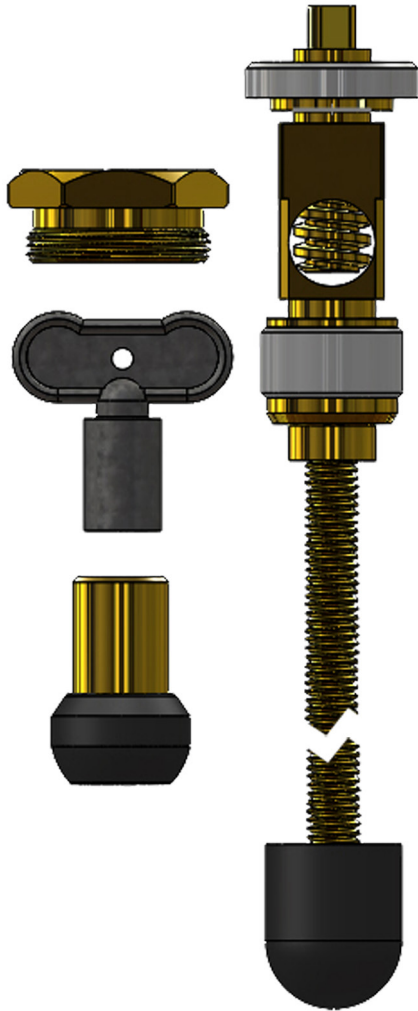


Hydrant Repair Kit
151150
OEM: HK7

To Order, Email Orderdesk@barrywalter.com or Fax 1-800-886-9831 - BarryWalter.com

*Original Mfg's names are used for identification only and are not a representation that the items offered are genuine items of the original Mfg.

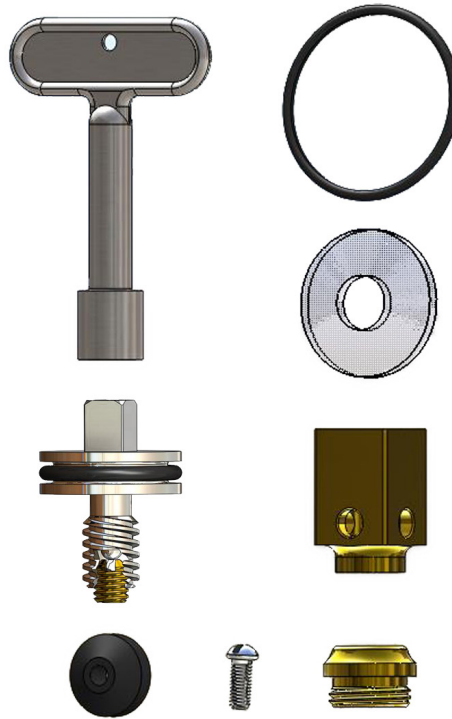
WATTS*



Hydrant Repair Kit

159410
24" Rod
HY-420-CIA

ZURN*



Hydrant Repair Kit

149650
Z1300 & Z1310 Repair Kit
OEM: 66955-201-9

ZURN*

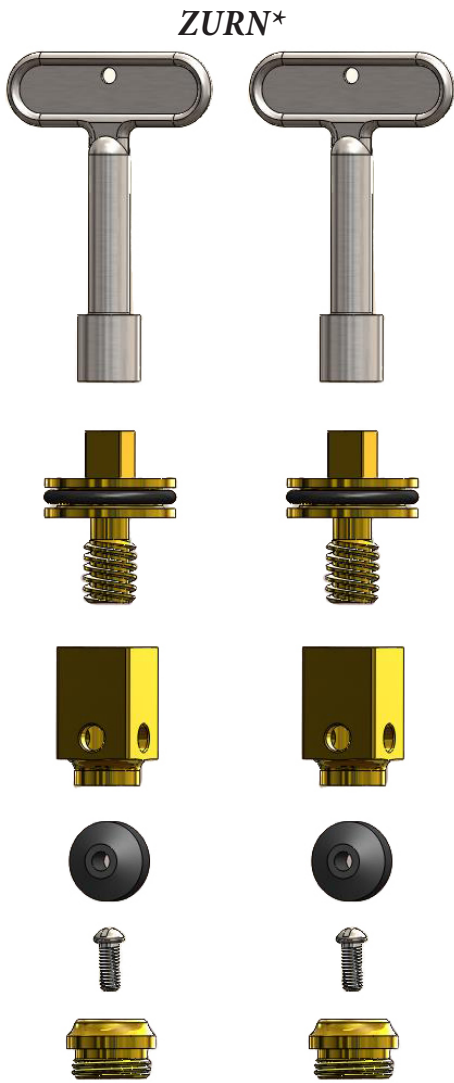


Hydrant Repair Kit

149680
Z1300 & Z1310 With Rod Repair Kit
With 12" Rod
OEM: 66955-306-9

To Order, Email Orderdesk@barrywalter.com or Fax 1-800-886-9831 - BarryWalter.com

*Original Mfg's names are used for identification only and are not a representation that the items offered are genuine items of the original Mfg.



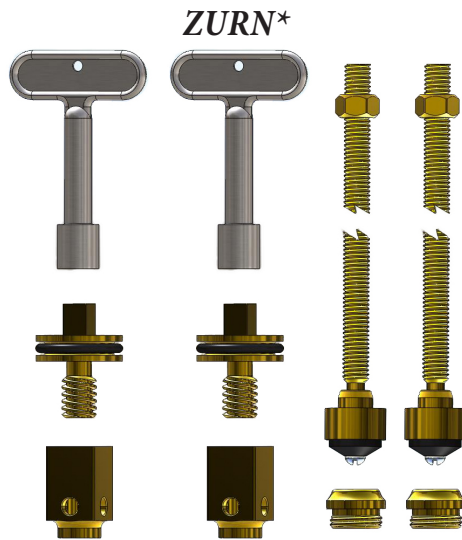
Hydrant Repair Kit

149750

Z1325 Repair Kit (2) of OEM: 66955-

203-9

OEM: 66955-203-9



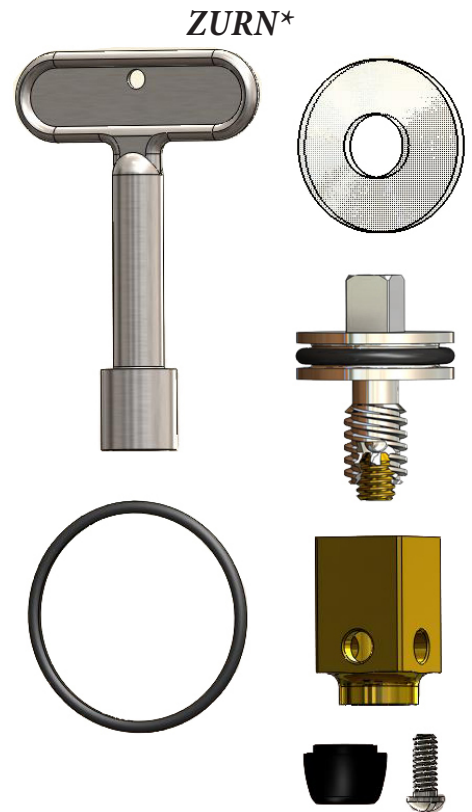
Hydrant Repair Kit

149790

Z1305/Z1315/Z1325 (2) Repair Kit

With 12" Rod

OEM: 66955-310-9



Hydrant Repair Kit

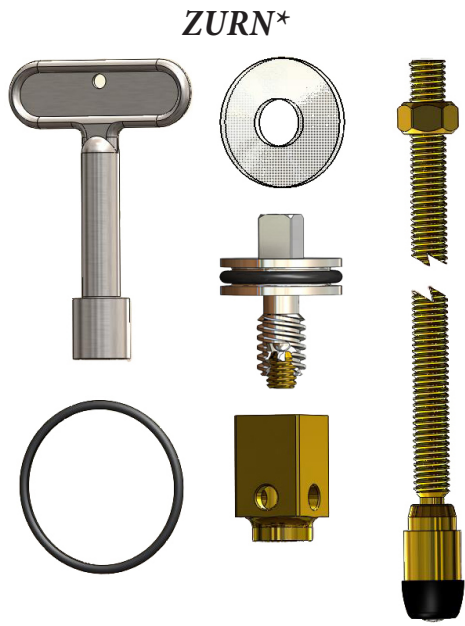
149820

Z1320/Z1321 Plunger Type Repair Kit

OEM: 66955-206-9

To Order, Email Orderdesk@barrywalter.com or Fax 1-800-886-9831 - BarryWalter.com

*Original Mfg's names are used for identification only and are not a representation that the items offered are genuine items of the original Mfg.



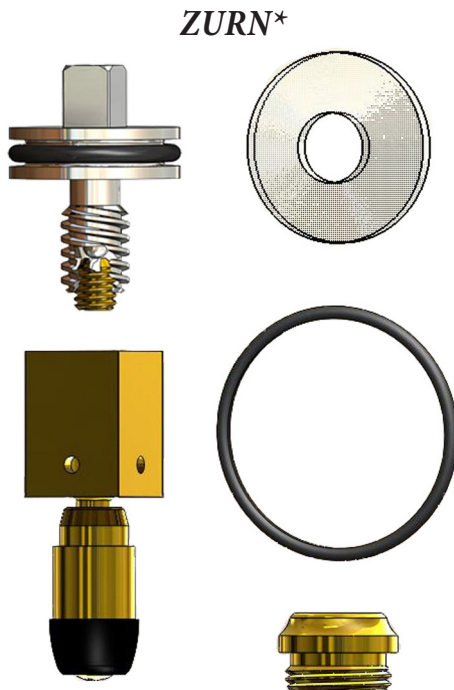
Hydrant Repair Kit

149860

Z1320/Z1321 Plunger Type Repair Kit

With 12" Rod

OEM: 66955-307-9



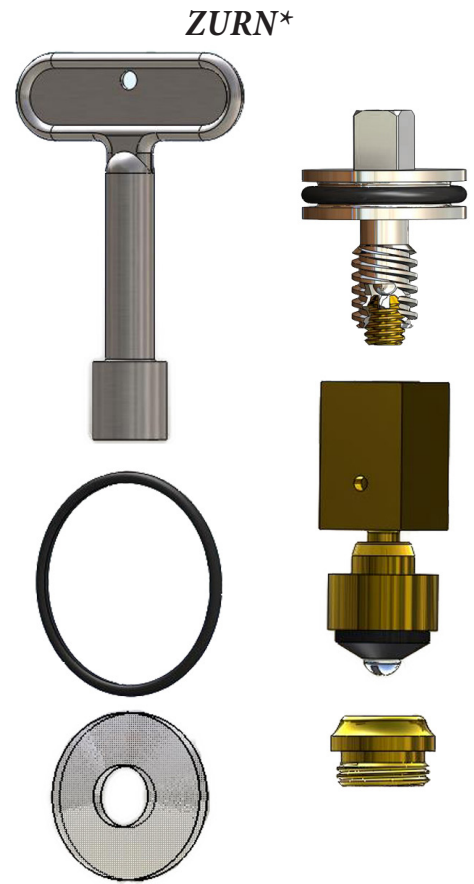
Hydrant Repair Kit

149890

Z1330/Z1333 New Style Plunger Type

Repair Kit

OEM: 66955-207-9



Hydrant Repair Kit

150000

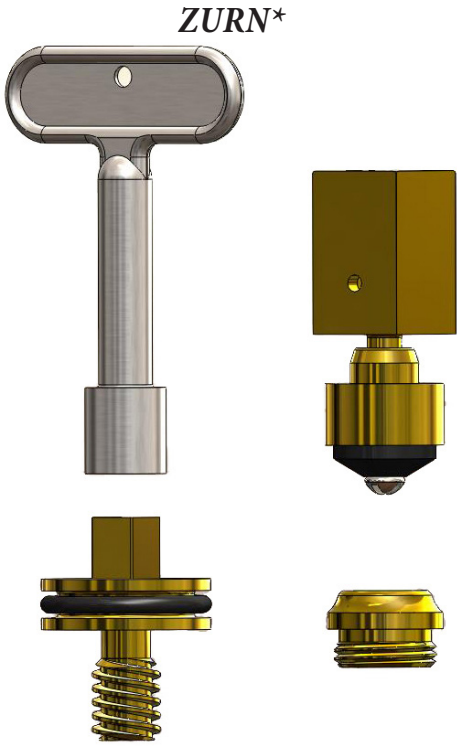
Z1330/Z1333 Old Style Plunger Type

Repair Kit

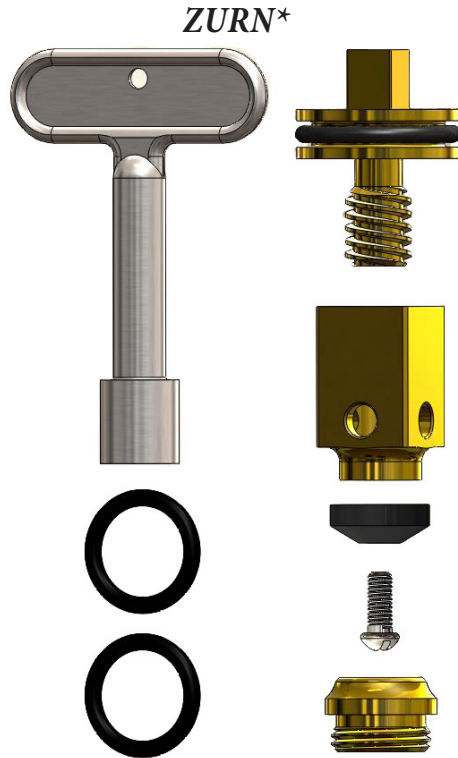
OEM: 66955-202-9

To Order, Email Orderdesk@barrywalter.com or Fax 1-800-886-9831 - BarryWalter.com

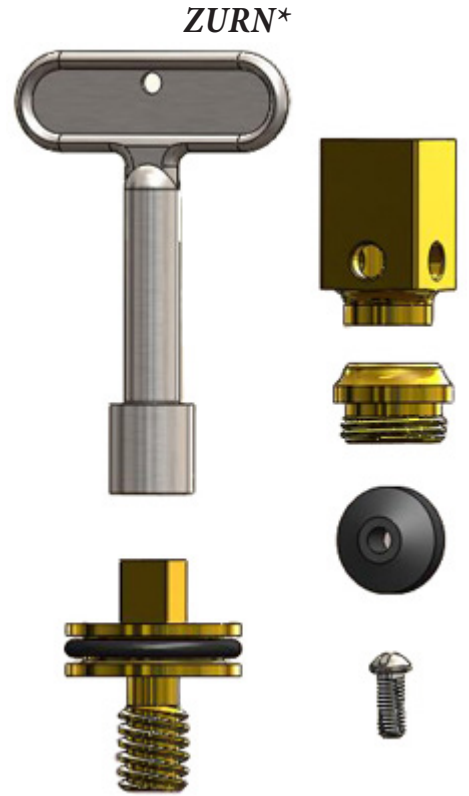
*Original Mfg's names are used for identification only and are not a representation that the items offered are genuine items of the original Mfg.



Hydrant Repair Kit
 150030
 Z1335/Z1375 Repair Kit
 OEM: 66955-205-9



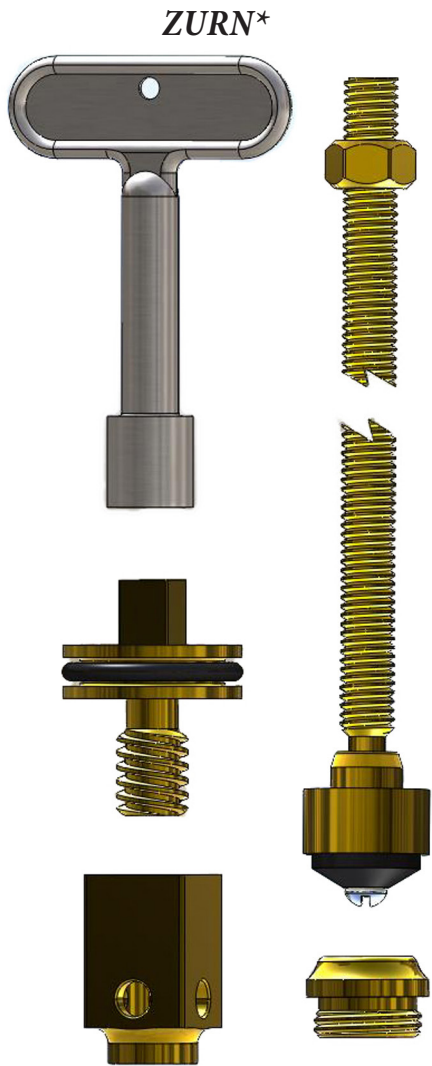
Hydrant Repair Kit
 150240
 Z1360/Z1370/Z1385 Repair Kit
 OEM: 66955-204-9



Z1305/Z1315/Z1325 (2)
 152200
 OEM: 66955-203-9

To Order, Email Orderdesk@barrywalter.com or Fax 1-800-886-9831 - BarryWalter.com

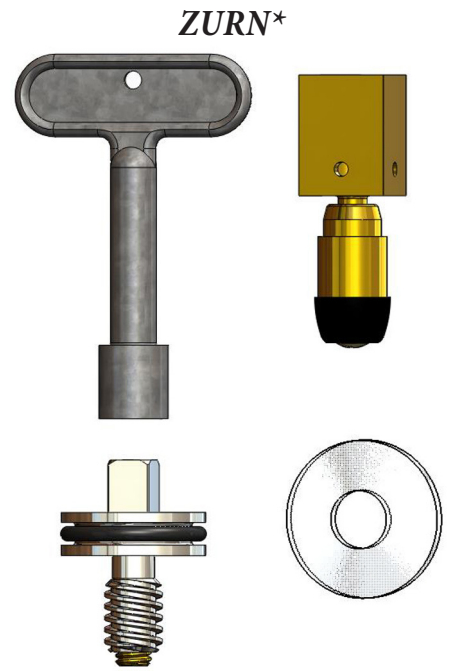
**Original Mfg's names are used for identification only and are not a representation that the items offered are genuine items of the original Mfg.*



Z1305/Z1315/Z1325 Repair Kit with Rod
 152240
 OEM: 66955-310-9



Hydrant Repair Kit
 LF161200
 Z1320, Z1321, Z1330, Z1333 Hydrant Repair Kit
 OEM: Z66955-304-9 & Z66955-195-9

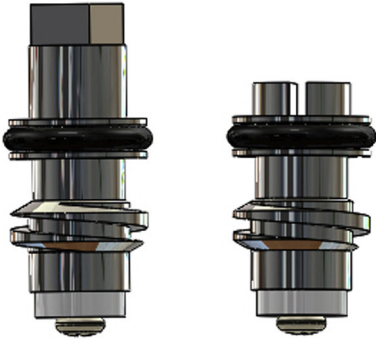


Hydrant Repair Kit
 149230
 Z1330-CXL & Z1333-CXL Repair Kit
 OEM: 66955-207-9

To Order, Email Orderdesk@barrywalter.com or Fax 1-800-886-9831 - BarryWalter.com

*Original Mfg's names are used for identification only and are not a representation that the items offered are genuine items of the original Mfg.

ZURN*



Hydrant Repair Kit

158260

OEM: 66955-208-9/HYD-RK-Z1350

To Order, Email Orderdesk@barrywalter.com or Fax 1-800-886-9831 - BarryWalter.com

**Original Mfg's names are used for identification only and are not a representation that the items offered are genuine items of the original Mfg.*